

**SANICOM**  
233 03.17

# SFA



The user should retain these instructions for future reference  
À lire attentivement et à conserver à titre d'information  
El usuario debe mantener estas instrucciones para futura referencia



## SANICOM® 1

### **IMPORTANT/ IMPORTANTE**

**DO NOT RETURN ANY MERCHANDISE TO THE VENDOR  
NE PAS RETOURNER DE MARCHANDISE AU VENDEUR  
NO REGRESE NINGUNA MERCANCÍA AL VENDEDOR**

For customer Service, Returns or Technical Questions, please call Saniflo's Technical support toll-free at  
800-571-8191 (USA) or 800-363-5874 (CDN).

Pour le service client, les retours ou toute question technique, merci d'appeler le service technique de Saniflo  
au numéro suivant : CDN 800-877-8538 (CDN).

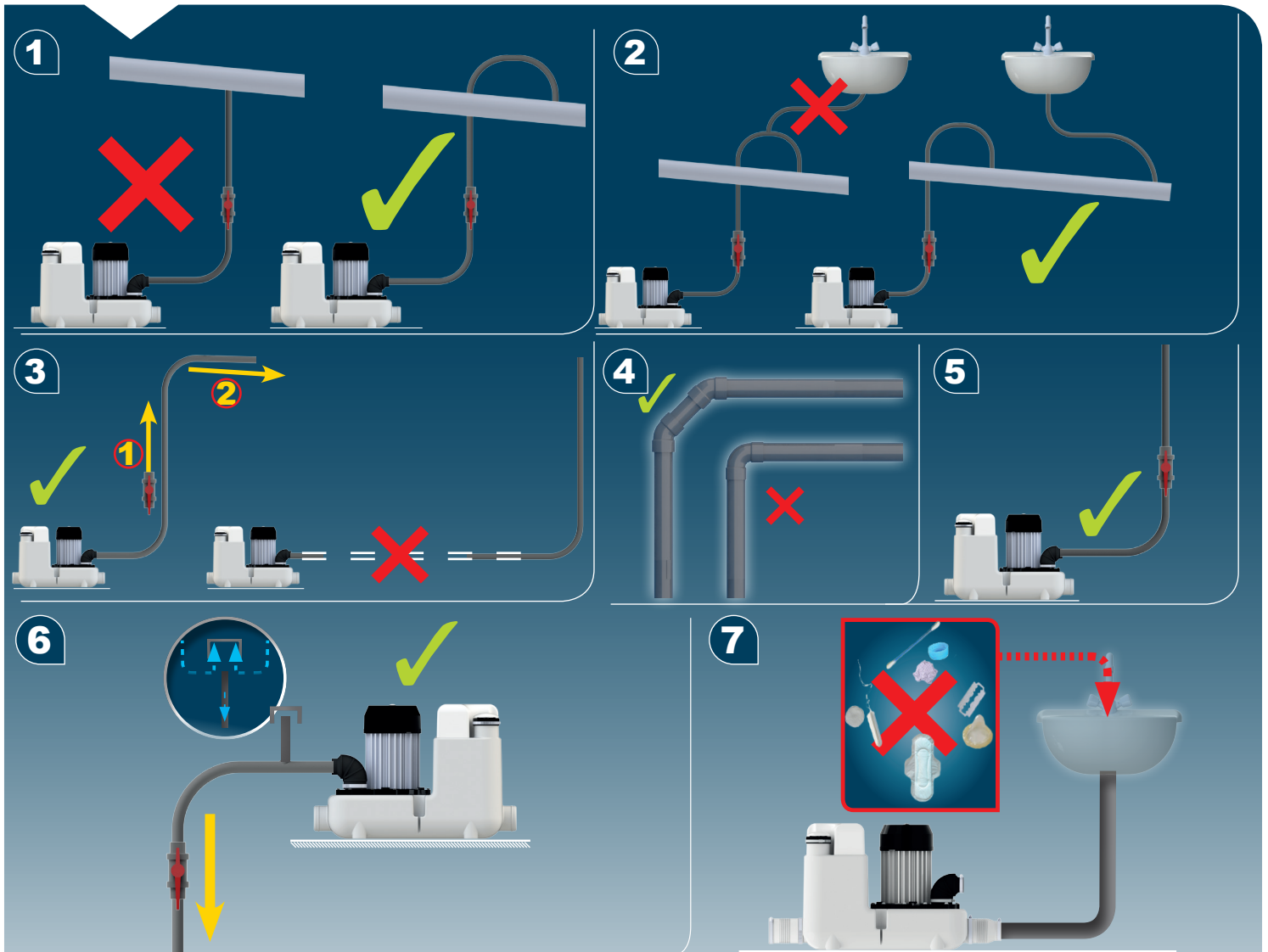
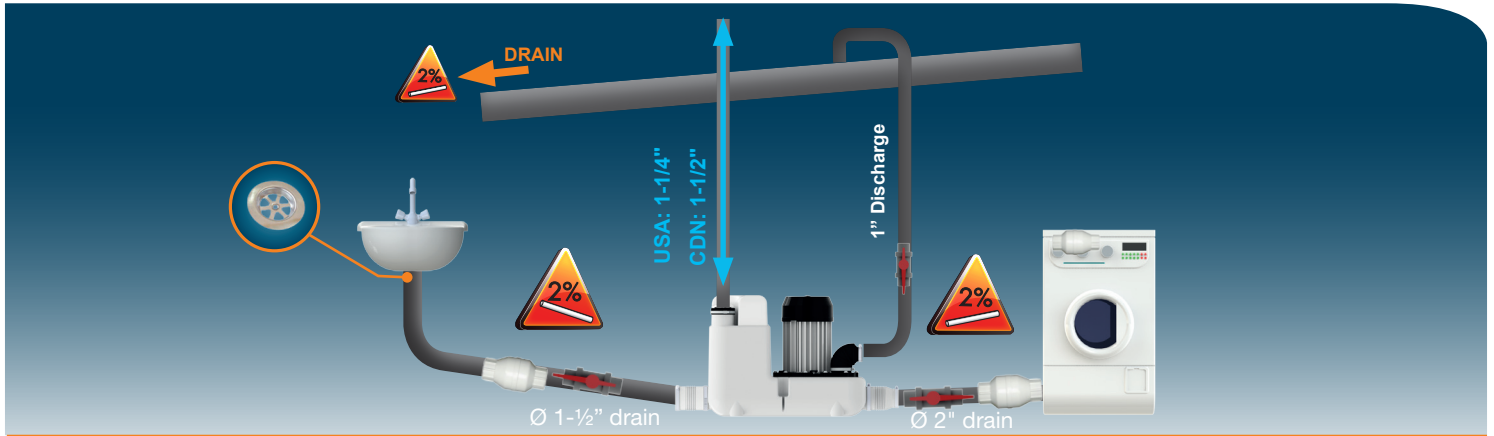
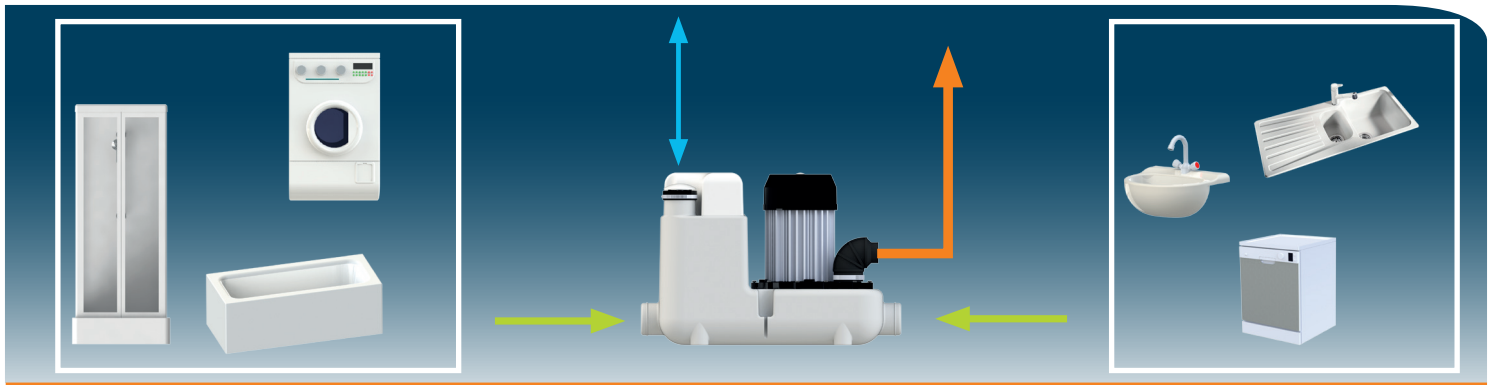
Para servicio al cliente, devoluciones o preguntas técnicas, por favor llame al soporte técnico de Saniflo sin cargo  
al 800-571-8191 (USA).

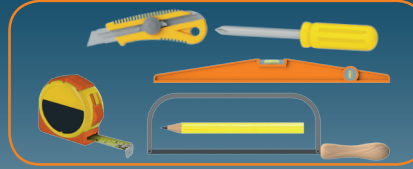
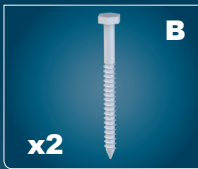
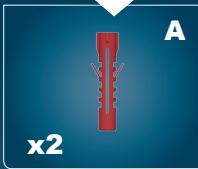
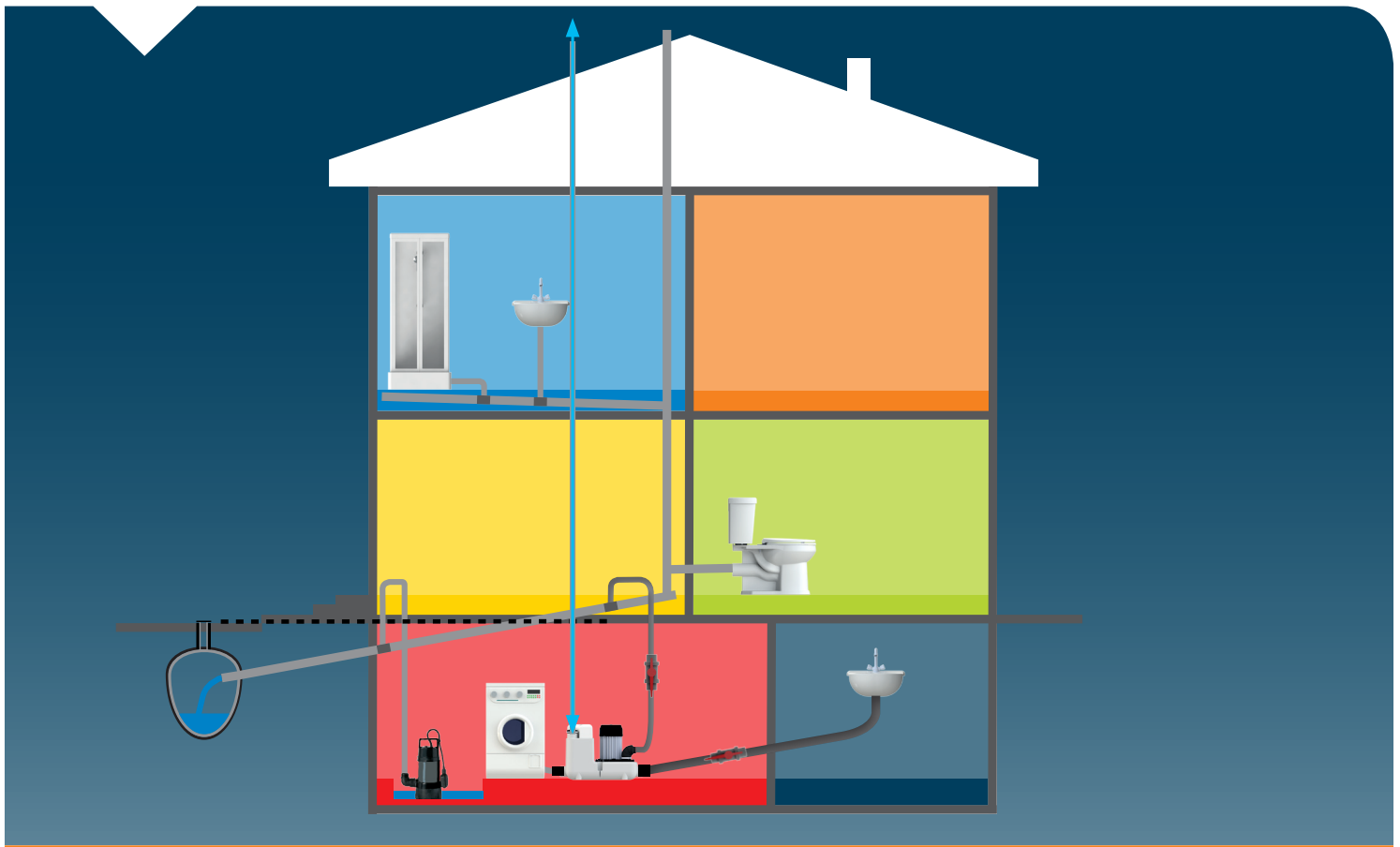
**This product must be installed in strict accordance with local plumbing codes.  
Product should be installed by a licensed plumber.**

**Le produit doit être installé dans le respect des règlements sanitaires locaux.  
Le produit doit être installé par un plombier qualifié.**

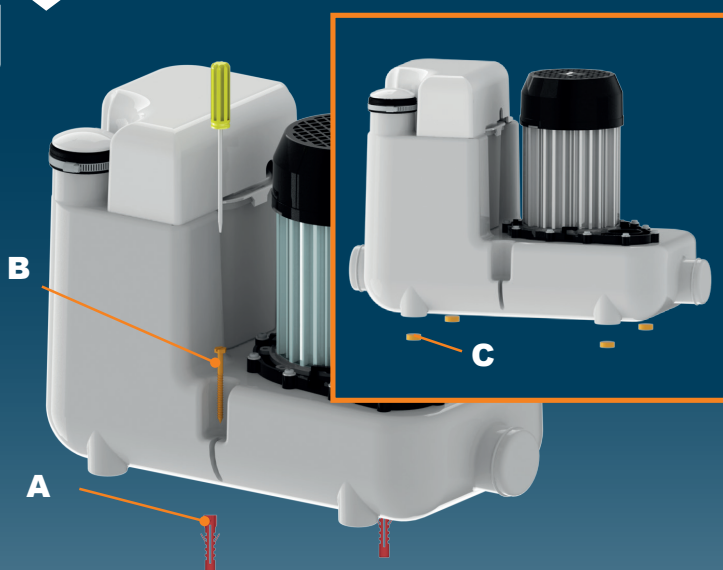
**El producto debe ser instalado en estricto acuerdo con los códigos locales de plomería.  
El producto debe ser instalado por un plomero con licencia.**



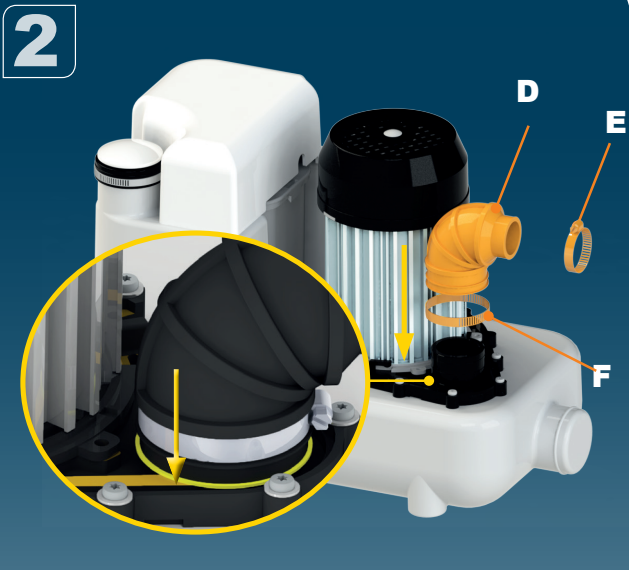




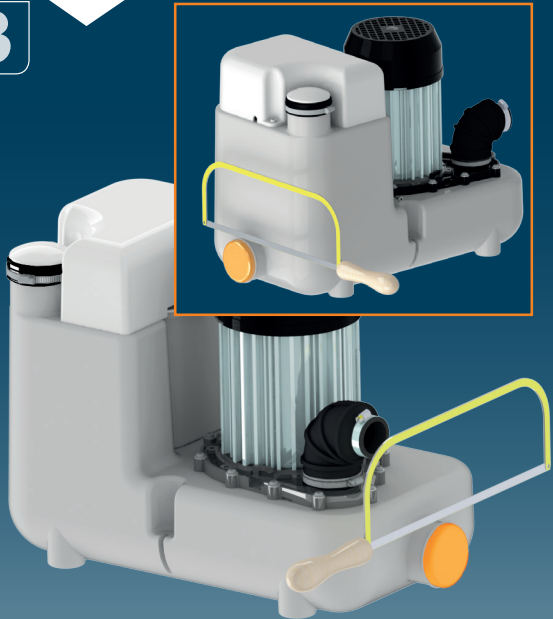
**1**



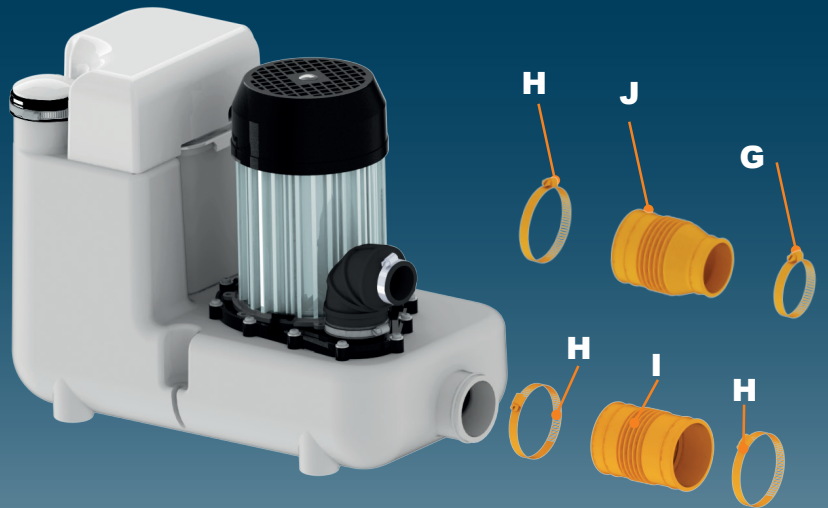
**2**



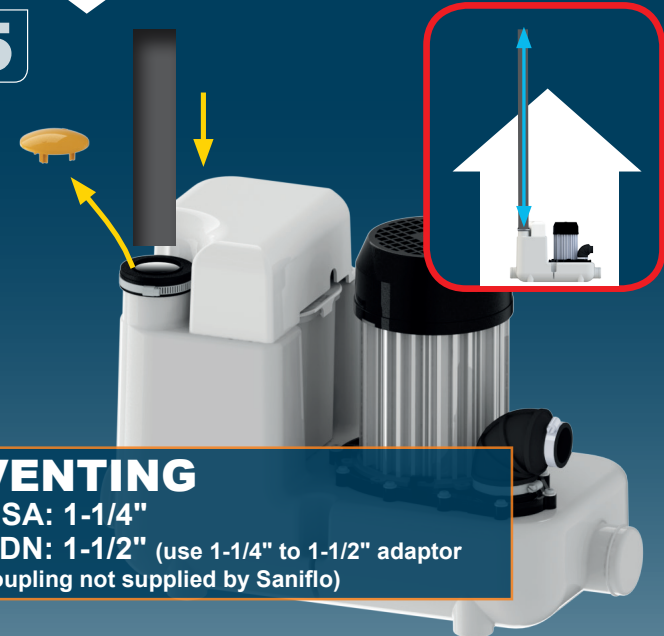
3



4



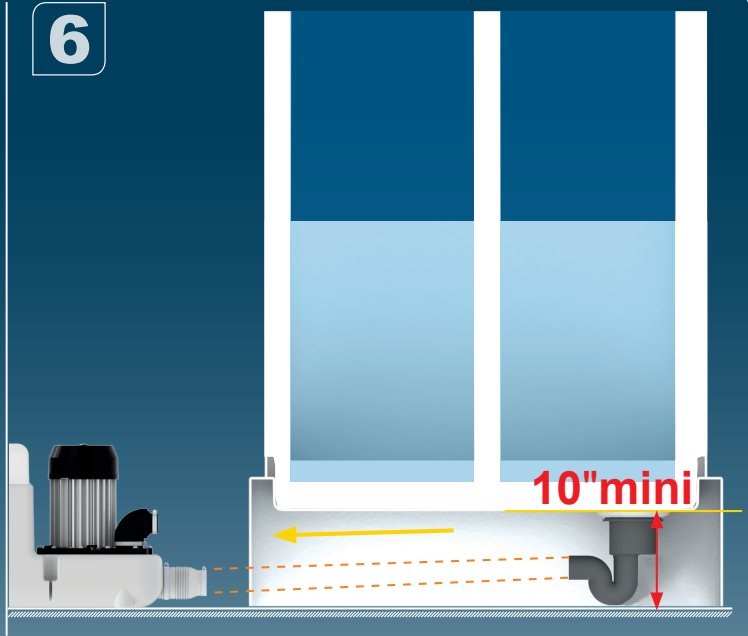
5



**VENTING**

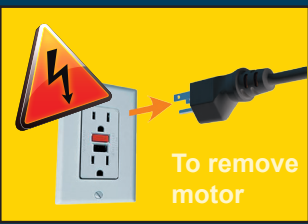
USA: 1-1/4"  
 CDN: 1-1/2" (use 1-1/4" to 1-1/2" adaptor coupling not supplied by Saniflo)

6



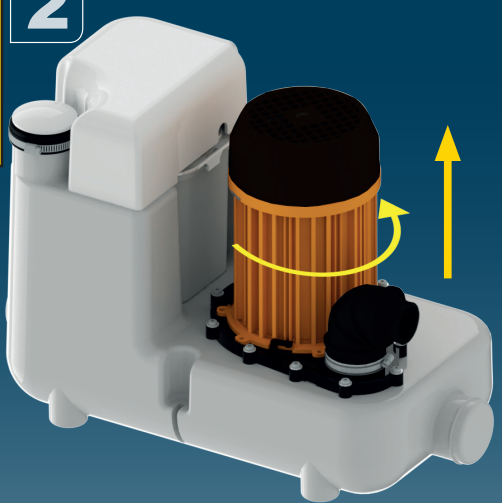
10" mini

1

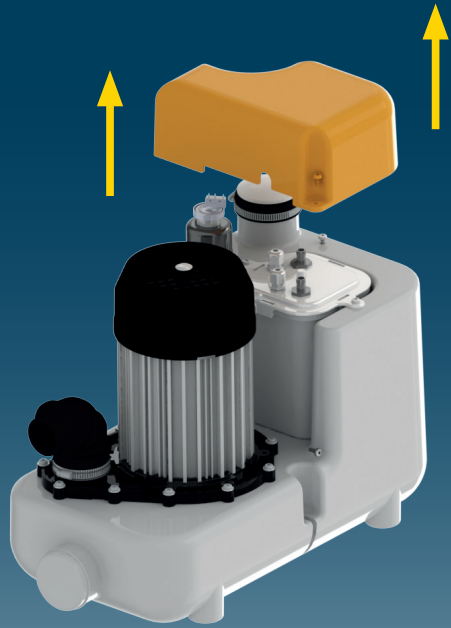


To remove motor

2



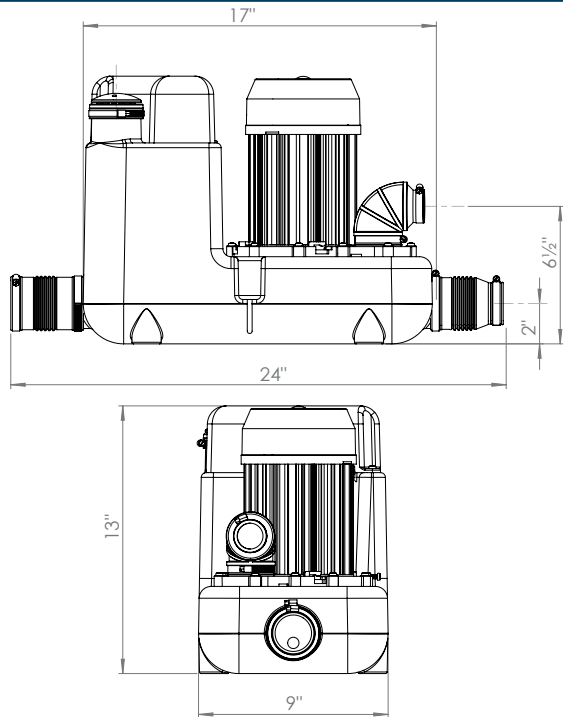
3



4




CONNECTION OF THE ALARM



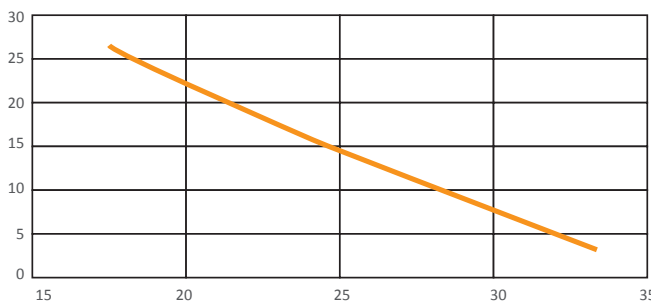
# SANICOM



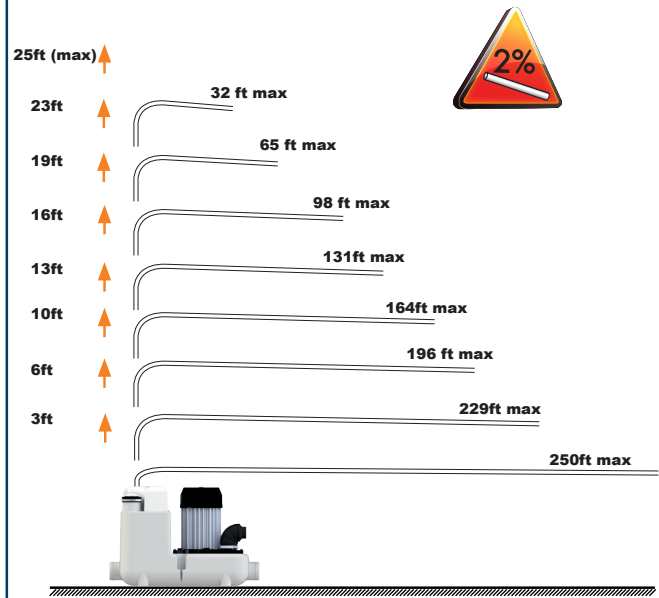
**120 V - 60 Hz**  
**1HP - 10 Amps - CLASS 1**   
**22 Lb**  
**Max temperature (intermittently): 194°F (90°C)**  
**Tank volume : 2.6 Gallons**

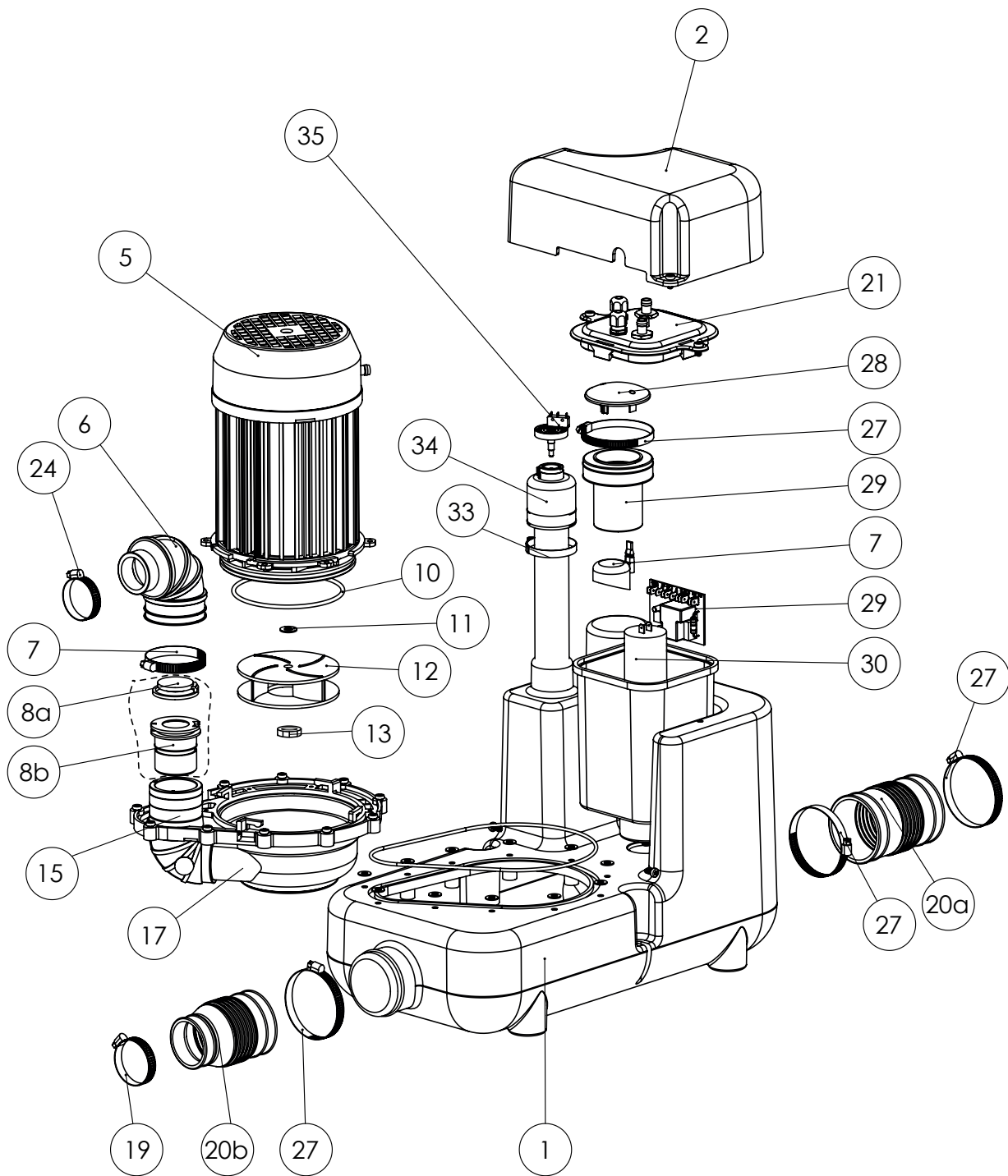
VERTICAL DISTANCE  
(DISTANCE VERTICALE)

feet/pieds/...



US GPM  
FLOW RATE (DÉBIT)





For service or for further inquiries, please call or contact one of the following addresses:

Pour le service et d'autres demandes de renseignements, veuillez appeler à l'une des adresses indiquées ci-dessous :

United States  
 SFA-SANIFLO INC.  
 105 Newfield Avenue, Suite A  
 Edison, NJ 08837

Canada  
 SFA-SANIFLO INC.  
 1-685 Speedvale Avenue West, Unit 1  
 Guelph, ON  
 N1K 1E6

Toll Free: 1-800-571-8191  
 Phone: 1-732-225-6070  
 Fax: 1-732-225-6072  
 E-mail: [sfasales@saniflo.com](mailto:sfasales@saniflo.com)  
 Web Site: [www.saniflo.com](http://www.saniflo.com)

Toll Free : 800-363-5874 English  
 Numéro sans frais : 800-877-8538 Français  
 Téléphone : 519-824-1134  
 Télécopieur : 519-824-1143  
 Courriel : [sales@saniflo.com](mailto:sales@saniflo.com)  
 Site Web : [www.saniflo.ca](http://www.saniflo.ca) or/ou [www.saniflo.ca/fr](http://www.saniflo.ca/fr)

## SANICOM® 1

### EN IMPORTANT ADDITIONAL INFORMATION

#### I INTRODUCTION

This drain pump is manufactured in a factory which is quality certified to ISO 9001 (2000). To benefit from the advantages provided by this new generation system, it is important to comply with the installation instructions.

#### II GENERAL DESCRIPTION

The drain pump unit is a residential/commercial pumping system for gray water fixtures. It can simultaneously receive gray water from sanitary fixtures such as sinks, commercial dishwashers, washing machine, bathtubs, etc. The unit is specifically designed for use with commercial or domestic washing machines, dishwashers, etc. Light and medium duty dishwashers only acceptable. Consult appliance manuals to ensure appliance discharge rates are within Sanicom 1 pump out rates where direct infeed to pump is required. Installed and used correctly, this system will give consistent and reliable service.

This system must discharge into a 1" sanitary drain pipe. The discharge diameter can only be 1" pipe. This system will pump up to 25 feet vertically and/or 250 Ft horizontally, with a minimum 1/4" per foot gravity fall constantly throughout the horizontal run to the point of discharge.

#### III INSTALLATION ADVICE

**1.** All discharge pipe work must be connected to the soil stack by an appropriate and approved connection (a "wye" fitting is preferable). Note that the connection into a horizontal soil stack shall be through the top of the pipe.

**2.** The discharge pipe from the system shall be an independent line as no other drain pipe shall tie into it.

**3.** Any initial horizontal pipe run from the unit, prior to the vertical lift, should not exceed 18 inches.

**Note:** After the first vertical run, any run afterwards should be in a horizontal manner with the required slope. Therefore, you cannot change directions in an upward vertical manner.

**4.** Use long sweeping 90 degree elbows or two 45 degree elbows back-to-back to create the 90 degree turn.

**5.** When the point of discharge into the soil stack is lower than the base of the unit, a vacuum relief valve may need to be fitted at the highest point of in the pipe run in order to avoid siphonage.

**6.** Any drain pipe leading into the pump shall have a minimum 1/4" per foot gravity fall. Any horizontal discharge pipe shall also have this minimum pitch.

**7.** The total run on the discharge pipe shall be no less than 3 ft (combined) before it drains into a larger stack.

**8.** The discharge pipe work should not be installed with a diagonal upward slope.

#### IV DIMENSIONS & DISCHARGE CAPACITY

See Page 5

#### V NORMAL OPERATING CYCLE

As the bath, washing machine and lavatory discharge, the water enter the unit and the water level begins to rise, triggering the pressure switch. This in turn activates the motor. The waste water is picked up by the impeller and discharged through a 1" outlet pipe to a sanitary sewer or soil stack.

#### VI CONNECTION OF THE DISCHARGE PIPE

These systems are provided with a discharge elbow (D). To connect to your discharge pipe, insert rubber discharge elbow (D) on top of the check valve and secure with clamp (F)

**IMPORTANT :** Make sure that the check valve is positioned correctly. When the flapper opens up, the back of the flapper should be hitting against the back of the elbow to allow free flow.

**Note:** Install a ball valve in the discharge line in order to facilitate the removal of the unit.

If you want the unit to pump vertically and horizontally, you may calculate that 3 Ft of vertical lift is equivalent to 30 Ft of horizontal run. Note that all horizontal runs require a 1/4" per foot gravity fall. Each bend or change in direction causes minor losses which must be deducted from the discharge performance (i.e. reduce discharge height by 3 Ft for each 90 degree turn). Use long sweeping 90 degree elbows or two 45 degree elbows back-to-back to create the 90 degree turn. **Do not use 90 degree elbows.**

#### VII PREPARING THE UNIT

Follow steps on page 3.

#### VIII CONNECTION TO A VENT SYSTEM

The unit must be vented.

It has a 1 1/4" inlet on the top of the cover meant for this connection. It must be connected to a vent system according to your local plumbing codes.

Remove the cap from the vent section. Insert an adapted pipe into this section (1 1/4" for US, 1 1/2" for Canada)

In order to follow Canada National Plumbing Code, the vent 1 1/4" port can be connected to a 1 1/2" vent pipe via a 1 1/4" - 1 1/2" adaptor coupling (not provided by Saniflo). The gasket should create a tight seal against the pipe.

**Warning: Do not use an air admittance valve or a mechanical spring-loaded venting device, as these devices are one-way valves. The air pressure in and outside the unit must be equal.**

### IX CONNECTION OF SANITARY FIXTURES

The unit is equipped with two additional 2" inlets, one on either side of the case. If inlets are to be used, cut these open with a saw as needed.

Use the provided 1-1/2" coupling (J) or the 2" coupling (I) to connect the pipes for either inlet. Secure these connections with clamps (H, G) once they are installed.

Any standard shower stall or bathtub may be used as only the drainpipe connects to the system. Note that when installing either one of these fixtures, a platform would need to be built in order to raise the shower or bathtub.

**It is required that when connecting a shower or bathtub to the unit, the base of the shower tray or bathtub, be raised by at least 10" from the floor.**

**Note:** The actual distance between the p-trap of the additional fixture and the unit determines the necessary clearance to install the p-trap and elevation required to ensure a minimum gravity flow of 1/4-inch per foot.

Therefore, the further the pump is away from the connecting fixture, the higher the platform would need to be raised considering the gravity fall required.

### WARNING: Risk of electric shock

**This pump is supplied with a grounding conductor and grounding-type attachment plug. To reduce the risk of electric shock, be certain that it is connected only to a properly grounded, grounding-type receptacle.**

### X CONNECTION TO THE ELECTRICAL SUPPLY

All wiring should be in accordance with the applicable electrical code in your territory.

The system requires a single-phase 120-volt, 15 amp. supply. When installed in a bathroom, the receptacle should be 40 inches away (in a straight line) from a shower or bathtub. Connect only to a receptacle protected by a ground fault circuit interrupter (GFCI).

**Warning:** Risk of electric shock - this pump is supplied with a grounding conductor and grounding type attachment plug to reduce the risk of electrical shock. Be certain that it is connected only to a properly grounded - type receptacle.

### XI ACTIVATING THE UNIT/USAGE

Run the water from the bathroom or from kitchen appliance connected to the pump and check that connections are water tight and that the pump starts and stops correctly.

The pump starts automatically as soon as the gray water begins to drain. It shuts down when all the water has been drained.

Note that the pump will work intermittently as the pump will turn on and off for several cycles until it discharges all the water.

The normal domain of application of SFA pumping units only concerns the disposal of gray water.

**Warning: Do not discharge any acids, alkaloids, solvents painting, paint strippers, food waste, plastic bags, metal such as nails, hairpins, wood, building materials, kitty litter or anything that could halt or damage or corrode the unit.**

**Disregarding the above might damage the unit and shall void your warranty.**

**In the event of a power loss do not use any other sanitary fixture connected to the unit since it will not work until the power is restored.**

You can clean out the unit with our Descaler. The use of this Descaler depends on the usage of the pump as well as the hardness of water. Do not use bleach (be careful not to let water enter the electrical cord opening).

The unit starts automatically once waste drains into the pump from a bath, shower, hand basin, etc.

In areas, which are prone to freezing, the total system must be properly winterized. This includes the draining of all pipes and the drain pump.

The system is simple to winterize. Pour a jug of plumber's anti-freeze into the pump case or into a connecting fixture. This will cause the unit to activate and all remaining water will be replaced by plumber's anti-freeze.

### XII ACCESS TO MAIN COMPONENTS

(For qualified personnel only)

**Warning: Before attempting any work, please make sure to unplug the unit from the power supply.**

#### REMOVING THE MOTOR:

1. SWITCH THE APPLIANCE OFF
2. Empty the tank

**To remove the motor:**

3. Unscrew the screws torx T20
4. Turn the motor anti-clockwise

(warning: the motor may be hot) and lift it out.

#### REPLACING THE MOTOR:

1. Locate the motor into the adaptor plate, ensure it is firmly home and turn it clockwise until the reference marks line up.
2. Screw in the six screws into the adaptor plate.
3. Check that the motor can turn freely using a screwdriver into the top of the motor shaft.

**To access the non-return valve:**

1. Unscrew the clamp and then remove the elbow
2. Clean or replace the valve

### XIII ALARM

(For qualified personnel only)

There is the option of connecting an alarm (light, bell) on to the electronic circuit board (2 terminals fed with 110V). If the motor is fed continuously (more than 5 minutes), the contact will be made. This enables the user to carry out a check if he wishes.

(Picture 4)

#### CONNECTION OF THE ALARM

Two 6.35 push on connection points are available on the electronic circuit board (arrowed) for creating an alarm circuit. (these connectors have 110V, 0.5A maximum current passing through them). To access them after turning the power off, remove the cover then unscrew and unclip the upper casing of the electronic box, to expose the electronic circuit board. On this card use the point marked E.V. and the unused neutral connection point marked N. Use a round 2 x 0.75 mm<sup>2</sup> wire, which must pass across the lid of the upper casing, through the cable gland, before being connected to the chosen alarm system.

### XIV RETURN AND REPAIR OF THE UNIT

In the event that the unit needs to be returned for service, please call for possible options, or to inquire about an authorized repair shop in your area. When you are required to return the unit to the manufacturer or repair shop, please ensure that prior to shipping, the unit has been cleaned and disinfected inside and outside. Soiled pumps present a health hazard to all persons handling them, therefore, soiled pumps will be accepted solely at the discretion of the receiver. A labor charge may be in effect for cleaning. Please package the unit properly with adequate shock absorbent material around it. If any repairs are done outside the warranty period, or when the user has damaged the unit, you will be apprised of repair costs.



# LIMITED WARRANTY

## 2 Year Warranty from Date of Purchase

Subject to the terms and conditions set out below, SFA-SANIFLO INC., (hereafter designated the as the Company) warrants that it will repair or replace the product or any of its component parts, at the Company's discretion if it deems that the product or part it is defective or does not meet the rated performance due to a manufacturing or material default.

If replacement is to be issued, this will only be extended to the first year starting from the date of purchase. Warranty repairs will apply after such date up to the warranty's date of conclusion.

### TERMS AND CONDITIONS

The conditions of this warranty are the following:

- The product must be installed in accordance with the use described in the enclosed manuals.
- The product must be connected to a single phase 120V, 60Hz electrical outlet and was not subject to any negligence, accident or exposure to harmful products or substances..
- The alleged defect or fault must be reported either to the installer or to the Company during the warranty coverage period.
- The warranty coverage period is valid for 2 years.

### PART OR PRODUCT EXCHANGE

The product may be exchanged without cost only at the sales outlet where it was purchased subject to the following conditions:

- The customer must have an "authorized return number" from the manufacturer in order to validate exchange.
- The customer must produce proof of purchase to validate exchange.

### LIMITATIONS

- 1.Fill and flush mechanism are guaranteed as per OEM warranty only.
- 2.Vitreous china are guaranteed only for a factory defect.
- 3.Cost of disconnection and reconnection (ie labor charges) are not covered by the warranty and are end-users responsibility.
- 4.Cost of mail or freight when a part or parts of the system have to be repaired at the company are not covered by this warranty.
- 5.In no event shall the company be liable for any special, incidental or consequential damage, loss, or injury of whatsoever nature or kind arising from or in connection with the product or any component thereof.
- 6.The guarantee is transferable only when the product remains at the same premises as where it was installed initially.

Except as set forth in this Limited Warranty, the company disclaims all other warranties, express or implied, with respect to the product or any component thereof including, but not limited to, all implied warranties for merchantability and fitness for a particular purpose

---

For service or for further inquiries, please contact one of the following addresses:

#### United States

SFA-SANIFLO INC.  
105 Newfield Avenue, Suite A  
Edison, NJ 08837

Toll Free: 1-800-571-8191  
Telephone: 1-732-225-6070  
Fax: 1-732-225-6072  
E-mail.: [sfasales@saniflo.com](mailto:sfasales@saniflo.com)  
Web Site: [www.saniflo.com](http://www.saniflo.com)

#### Canada

SFA-SANIFLO INC.  
1-685 Speedvale Avenue West  
Guelph ON  
N1K 1E6

Toll Free: 1-800-363-5874 English  
Toll Free: 1-800-877-8538 French  
Telephone: 1-519-824-1134  
Fax: 1-519-824-1143  
E-mail.: [sales@saniflo.com](mailto:sales@saniflo.com)  
Web Site: [www.saniflo.ca](http://www.saniflo.ca)

**I INTRODUCTION**

Cette pompe à eaux usées est fabriquée dans une usine certifiée ISO 9001 (2000).

Pour profiter pleinement des avantages fournis par cette nouvelle génération de système, il est important de se conformer aux instructions d'installation.

**II DESCRIPTION GÉNÉRALE**

Cette unité est un système de pompage résidentiel et commercial pour eaux usées. Cette pompe peut recevoir simultanément les eaux en provenance de plusieurs appareils sanitaires, comme des évier, des lave-vaisselle commerciaux, des machine à laver, des baignoires, etc.

L'appareil est spécifiquement conçu pour être utilisé avec des machines à laver (commerciales ou domestiques), des lave-vaisselle, etc. Lave-vaisselle de petite et moyenne capacité seulement acceptable. Consultez le manuel pour s'assurer que les performances d'évacuation de l'appareil sont conformes aux performances de pompage du Sanicom 1 lorsque l'appareil est connecté directement à la pompe.

Installé et utilisé correctement, ce système est performant et fiable.

L'évacuation se fait au travers d'un tuyau de diamètre un pouce de diamètre. Ce système peut pomper jusqu'à 25 pieds verticalement et/ou 250 pieds horizontalement, avec une descente constante par gravité d'au moins ¼ de pouce pour 1 pied (minimum), et ce tout le long du parcours, jusqu'au point d'évacuation.

**III CONSEIL D'INSTALLATION**

**1.** Tout raccordement des tuyaux de vidange à la colonne de renvoi doit être fait avec un raccord approprié et homologué (raccord en Y préférable).

**2.** Le tuyau de déversement du système doit être une ligne indépendante, un autre tuyau de vidange ne doit y être relié.

**3.** La partie horizontale du tuyau d'évacuation sortant de la pompe et placé avant la partie verticale doivent pas avoir plus de 18 po de longueur.

**Remarque :** Lorsque vous avez commencé l'installation d'un tronçon horizontal, vous ne pouvez changer de direction vers le haut verticalement.

**4.** Utiliser des angles les plus ouverts possibles. Ne pas utiliser de coudes courts. S'il est impossible d'installer un coude de 90° à grand rayon, utiliser deux coudes de 45° pour effectuer un virage de 90°.

**5.** Si le point de déversement dans la colonne de renvoi est plus bas que la base de l'ensemble la pompe, il peut être nécessaire de poser un clapet d'admission d'air au point le plus élevé de la tuyauterie pour empêcher le siphonage de la pompe.

**6.** Tout tuyau menant à la pompe doit avoir au minimum une pente de 1/4 de po pour un pied. Tout tuyau d'évacuation horizontal doit avoir cette PENTE minimale.

**7.** La longueur totale du tuyau de décharge doit être d'au moins 3 pieds (combinés) avant le déversement dans la colonne de renvoi plus grande.

**8.** La tuyauterie de l'appareil au point d'évacuation, ne doit jamais être installée avec une pente diagonale ascendante.

**IV DIMENSIONS ET CAPACITÉ DE DÉCHARGE**

Voir page 5

**V CYCLE NORMAL DE FONCTIONNEMENT**

Lorsque l'eau de la baignoire, de la machine à laver ou du lavabo est évacuée, l'eau sale entre dans le système. Le niveau de l'eau monte dans le boîtier, ce qui enclenche le pressostat. Cela met en marche le moteur.

Les eaux usées sont ramassées par la turbine et évacuées via un tuyau d'évacuation de diamètre 1 po jusqu'à la colonne de renvoi et l'égout vanne.

**VI RACCORDEMENT À LA TUYAUTERIE D'ÉVACUATION**

Ces systèmes sont fournis avec un coude d'évacuation (D) et un clapet anti-retour.

Pour connecter votre tuyau d'évacuation insérez le coude d'évacuation (D) au dessus du clapet anti-retour et le fixer à l'aide du collier (F).

**IMPORTANT: assurez-vous que le clapet anti-retour est correctement positionné. Lorsque l'arrière du clapet s'ouvre il doit buter contre l'arrière du coude pour permettre la bonne évacuation.**

**Remarque :** L'installation d'une vanne dans le tuyau d'évacuation est recommandée de manière à faciliter le retrait de la pompe ou à faire un entretien au besoin.

Si vous voulez que l'appareil pompe verticalement et horizontalement, vous devez calculer de telle sorte que 3 pieds de montée verticale est équivalent à 30 pieds de parcours horizontal.

Notez que toutes les parties horizontales de tuyauterie doivent avoir une pente descendante minimum de 1/4 de po.

Chaque courbe ou changement de direction provoque une perte de charge dont il faut tenir

compte en calculant la capacité d'évacuation, selon les méthodes habituelles de calcul de perte de charges (pour chaque courbe de tuyau à 90°, soustrayez environ trois pieds de hauteur de relevage).

Utilisez des courbures de tuyaux plutôt que des coudes. Utilisez deux coudes de 45° pour former un coude 90°. **N'utilisez pas les coudes de 90°.**

**VII PRÉPARATION DE LA POMPE**

Suivez les étapes sur page 3.

**VIII RACCORDEMENT À UN SYSTÈME D'AÉRATION**

Cet appareil doit être ventilé.

Une entrée de 1 ¼ po sur le dessus du couvercle est destiné à cette connection. L'appareil doit être raccordé à un système de ventilation en fonction de vos codes de plomberie locaux. Retirez le capuchon de la section de ventilation. Insérez un tuyau adapté dans cette section (1 ¼ po pour les États-Unis, 1 ½ po pour le Canada) Afin de suivre le Code de plomberie national du Canada, l'orifice d'évacuation de 1 ¼ po peut être raccordé à un tuyau de ventilation de 1 ½ po par l'intermédiaire d'un adaptateur de 1 ¼ - 1 ½ po (non fourni par Saniflo).

Le joint doit créer une étanchéité correcte contre le tuyau.

**Attention : N'utilisez pas de vanne d'admission d'air ni un évent à ressort car ces mécanismes sont à sens unique. La pression d'air doit demeurer uniforme à l'intérieur et à l'extérieur de la pompe.**

**ATTENTION: Risque de choc électrique**

Cette pompe est fournie avec un conducteur de mise à la terre et une prise de terre. Pour réduire le risque de choc électrique, assurez-vous qu'il n'est branché qu'à une prise de terre correctement mise à la terre.

**IX CONNEXION DES APPAREILS SANITAIRES**

L'unité est équipée avec deux autres orifices d'entrée de 2 po d'un côté et de l'autre de la cuve. Si les entrées doivent être utilisées, couper celles-ci avec une scie.

Utiliser les manchons de 1 ½ po (J) ou 2 po (I) pour connecter les tuyaux à chaque entrée.

Sécuriser les raccordements avec les colliers (H, G) une fois installés.

Il est possible d'utiliser n'importe quelle baignoire ou douche, puisque seul le tuyau d'évacuation est raccordé

à la pompe. Nous vous recommandons de construire une plate-forme pour élever la baignoire ou la douche.

**Il est nécessaire lors de la connexion d'une douche ou d'une baignoire à l'unité, de soulever le dessous du bac à douche ou baignoire d'au moins 6 po par rapport au sol.**

**Remarque :** La distance réelle entre le siphon en P de l'appareil supplémentaire et la pompe détermine le jeu nécessaire pour installer le siphon en P, et la hauteur requise pour assurer un écoulement par gravité d'au moins ¼ de po pour 1 pied. Par conséquent, plus la pompe est loin du rattachement de l'appareil sanitaire, plus la plate-forme a besoin d'être élevée, compte tenu de la gravité nécessaire.

### **X RACCORDEMENT ÉLECTRIQUE**

Tous les branchements électriques doivent être conformes aux normes électriques en vigueur dans votre région.

Le système requiert une alimentation monophasée de 120v 15 A. Si la prise de courant est située dans une salle de bain, elle doit être à une distance de 40 po (en ligne directe) d'une douche ou d'une baignoire. Ne connectez l'appareil qu'à une prise de courant protégée par un coupe-circuit en cas de défaut de mise à la terre du neutre (GFCI).

**Attention :** Risque de choc électrique cet appareil est muni d'une prise de terre (GFCI) afin de réduire le risque d'électrocution. Vérifiez que votre appareil est branché sur un circuit électrique avec prise de terre.

### **XI MISE EN MARCHÉ DE L'APPAREIL / UTILISATION**

Faire fonctionner l'eau de la salle de bains ou de l'appareil de cuisine raccordé à la pompe et vérifier que les raccords sont étanches et que la pompe démarre et s'arrête correctement.

La pompe démarre automatiquement dès que l'eau grise commence à s'écouler. Elle s'arrête quand toute l'eau a été vidangée.

Notez que la pompe fonctionne de façon intermittente car la pompe s'allume et s'éteint pendant plusieurs cycles jusqu'à ce qu'elle décharge toute l'eau.

Les pompes de SFA s'utilisent normalement uniquement pour évacuer les eaux usées.

#### **MISES EN GARDE :**

**Il est strictement interdit de jeter dans les appareils connectés à la pompe des acides, des alcaloïdes, des solvants, de la peinture, des décapants à peinture, des déchets alimentaires, des sacs plastique, des tissus, du plâtre, des gravats, de la litière pour chats ou toute autre matière qui pourrait bloquer, endommager ou corroder l'appareil. Si cette mise en garde n'est pas**

**respectée, la pompe pourrait être endommagée et la garantie pourrait être annulée.**

**En cas de panne de courant, n'utilisez pas les autres appareils sanitaires qui y sont reliés, car la pompe ne fonctionnera pas tant que le courant n'aura pas été rétabli.**

Vous pouvez nettoyer l'unité avec notre détartrant. L'utilisation de ce détartrant dépend de l'utilisation de la pompe ainsi que de la dureté de l'eau.

N'utilisez pas de javellisant (veillez à ce qu'il n'y ait pas d'eau qui pénètre dans l'ouverture cordon électrique).

L'appareil se met automatiquement en marche dès que la baignoire, la douche ou le lavabo se vident.

Dans les régions où il y a risque de gel, le système doit être protégé adéquatement contre le gel. Cela signifie vider tous les tuyaux et la pompe. Pour protéger la pompe contre le gel, il suffit de verser 4 litres d'antigel pour appareils de plomberie dans la pompe ou le dispositif de raccordement. Cela activera le système et toute l'eau qui reste sera remplacée par de l'antigel.

Ni la main-d'œuvre ni les pièces ne sont couvertes par la garantie si l'appareil tombe en panne à cause du gel.

Assurez-vous qu'il n'y a pas de robinet mal fermé, sinon le moteur peut disjoncter suite aux mises en routes et arrêts fréquents. Il pourrait en résulter une inondation.

### **XII L'ACCÈS AUX COMPOSANTS PRINCIPAUX**

**(Instructions réservées exclusivement aux professionnels qualifiés)**

**Avant d'entreprendre des travaux d'entretien ou de dépannage, il faut débrancher l'appareil de la source d'alimentation en électricité.**

#### **DEMONTAGE DU MOTEUR:**

- 1. METTRE L'APPAREIL HORS TENSION**
- Vidanger la cuve

#### **Pour enlever le moteur:**

- Dévisser les 6 vis torx T20.
- Tourner le moteur dans le sens anti horaire (**Attention** le moteur peut être chaud) et le dégager.

#### **REMONTAGE DU MOTEUR:**

- Emboîter le moteur dans la semelle, appuyer et tourner dans le sens horaire jusqu'à alignement des repères de la semelle et du flasque.
- Revisser les 6 vis de la flasque.
- Vérifier la liberté de rotation du moteur avec un tournevis.

#### **POUR AVOIR ACCÈS AU CLAPET ANTI-RETOUR:**

- Dévisser les colliers puis dégager le coude.
- Nettoyer ou remplacer le clapet.

### **XIII ALARM**

**(Instructions réservées exclusivement aux professionnels qualifiés)**

Il y a une possibilité de brancher sur la carte électronique (2 bornes alimentées en 110 V) une alarme (lumière, sonnette). Si le moteur reste alimenté en permanence (plus de 5 minutes), le contact s'établira. Ceci permet un contrôle éventuel de la part de l'utilisateur.

#### **RACCORDEMENT DE L'ALARME**

Deux cosses 6,35 sont disponibles sur la carte électronique pour créer un circuit d'alarme (ces cosses débitent un courant électrique 110 V, 0,5 A maximum). Pour les atteindre, après avoir coupé le courant, démonter le capot puis dévisser et déclipper le couvercle du boîtier électronique. En le soulevant on voit apparaître la carte électronique. Il faut utiliser sur cette carte la cosse marquée E.V et une des trois cosses neutres marquées N. Employer un câble électrique rond 2 x 0,75 mm<sup>2</sup> qui doit passer au travers du couvercle de boîtier, par la presse étoupe libre avant d'être branché sur le système d'alarme choisi.

### **XIV RETOUR ET RÉPARATION DE LA POMPE**

Si le système doit être réparé, appelez-nous pour connaître les autres options possibles ou pour vous renseigner sur l'atelier de réparation agréé dans votre région. Lorsque vous devez retourner la pompe au fabricant ou atelier de réparation, veuillez-vous assurer qu'il a été soigneusement nettoyé et désinfecté, à l'intérieur comme à l'extérieur, avant de l'expédier. Les pompes souillées présentent un risque pour la santé des personnes qui les manipulent, par conséquent, les pompes souillées seront acceptées uniquement à la discrétion du récepteur. Des frais de manutention pourront être facturés pour le nettoyage.

Lorsque des réparations sont effectuées en dehors de la période de garantie, ou si la pompe a été endommagée par l'utilisateur, une estimation des frais de réparation est envoyée au client.

# GARANTIE LIMITÉE

## Garantie de deux ans à partir de la date d'achat

Sous réserve des modalités et conditions énoncées ci-dessous, SFA-SANIFLO INC., (ci-après désignée comme la Compagnie) garantit qu'elle réparera ou remplacera, à son gré, le produit ou l'une quelconque de ses pièces, qui de l'avis de la Compagnie, se trouve défectueux ou ne répond pas à la performance demandée du fait d'un défaut de fabrication ou de matériau.

Si le remplacement doit s'opérer, il sera seulement valable pendant les 180 premiers jours à compter de la date d'achat. Les réparations sous garantie seront applicables après cette date jusqu'à la date de fin de garantie.

### TERMES ET CONDITIONS

Les conditions de la garantie sont :

- Le produit doit être installé conformément selon l'usage décrit dans les manuels ci-joint
- Le produit doit être connecté à une prise électrique monophasée de 120V, 60Hz et ne doit être le sujet d'aucune négligence, accident ou exposition à des produits ou des substances nuisibles.
- Le prétendu défaut ou faute doit être rapporté soit à l'installateur soit à la Compagnie pendant la période de couverture de la garantie.
- La période de couverture de la garantie est valable 2 ans.

### ÉCHANGE DE PIÈCE OU DE PRODUIT

Le produit pourra être échangé sans frais uniquement au point de vente où il a été acheté sous réserve des conditions suivantes :

- Le client doit avoir une «autorisation de retour » chez le fabricant afin de valider l'échange.
- Le client doit produire une preuve d'achat afin de valider l'échange.

### RESTRICTIONS

1. Les mécanismes de chasse et de remplissage du réservoir sont garantis par le fabricant d'origine seulement ;
2. La porcelaine est garantie seulement contre les défauts de fabrication ;
3. La garantie ne couvre pas les frais de branchement et rebranchement de l'installation (c.-à-d. les frais de main-d'œuvre) qui sont à la charge du client ;
4. La garantie ne couvre pas les frais d'expédition ou de transport quand une pièce ou des pièces de l'appareil doit(vent) être réparé(e)s à l'usine ;
5. En aucun cas la Compagnie ne sera tenue responsable des dommages accessoires ou indirects, pertes ou blessures, de quelle que nature que ce soit, résultant de l'utilisation du produit, ou de l'un de ses compos-ants ;
6. La garantie est transférable seulement si l'appareil demeure à l'endroit où il fut installé initialement.

Sauf pour ce qui est des termes de cette garantie limitée, la Compagnie n'accepte aucune autre garantie, implicite ou explicite, ayant trait au produit ou à tout composant y afférent, incluant sans toutefois s'y limiter, toute autre garantie implicite quant à la valeur marchande ou l'adaptabilité de ce produit à une fin particulière.

---

Pour le service et d'autres demandes de renseignements, veuillez appeler à l'une des adresses indiquées ci-dessous.

#### États-Unis

SFA-SANIFLO INC.  
105 Newfield Avenue, Suite A  
Edison, NJ 08837

#### Canada

SFA-SANIFLO INC.  
1-685 Speedvale Avenue West  
Guelph (Ontario)  
N1K 1E6

Toll Free: 800-571-8191  
Telephone: 732-225-6070  
Fax: 732-225-6072  
E-mail.: [sfasales@saniflo.com](mailto:sfasales@saniflo.com)  
Web Site: [www.saniflo.com](http://www.saniflo.com)

Numéro sans frais : 800-363-5874 English  
Numéro sans frais : 800-877-8538 French  
Téléphone : 519-824-1134  
Télécopieur : 519-824-1143  
Courriel : [sales@saniflo.com](mailto:sales@saniflo.com)  
Site web : [www.saniflo.ca/fr](http://www.saniflo.ca/fr)

**I INTRODUCCIÓN**

Esta bomba trituradora se fabrica en una factoría de acuerdo con los criterios de calidad de la certificación ISO 9001 e ISO 14001 validada por el AFAQ. Para beneficiarse de las ventajas de este sistema de nueva generación, es importante que siga las instrucciones de instalación.

**II DESCRIPCIÓN GENERAL**

Esta unidad de bomba trituradora contiene un sistema local para instalaciones de inodoro y baño. Al mismo tiempo recibe las aguas residuales de sanitarios tipo lavabo, pero sólo admite un inodoro por unidad.

⚠ Este triturador está diseñado para la eliminación de los desechos humanos, papel higiénico y agua. No está diseñado para la eliminación de residuos de cocina o electrodomésticos como lavavajillas o lavadoras. Si se instala y utiliza correctamente, este sistema proporcionará un servicio estable y seguro. Requiere de una tubería mínima de 3/4" o 1" de desagüe sanitario. Este sistema bombeará hasta 15 pies verticalmente o 150 pies horizontalmente, con un mínimo de caída constante de 1/4" por pie a lo largo de la horizontal hasta el punto de descarga.

Dispone de un tubo de extensión de Saniflo de 18" de largo que se utiliza para instalar la bomba detrás de una pared que se ajusta firmemente a cada lado del inodoro y del triturador.

**Nota:** El triturador puede instalarse detrás del inodoro o más lejos utilizando el tubo de extensión opcional.

**III CONSEJOS DE INSTALACIÓN**

**1.** Cualquier tubería de descarga debe conectarse a la pila del suelo mediante una conexión apropiada y apta (es preferible una conexión "en estrella"). Tenga en cuenta que la conexión en una pila de suelo horizontal se hará a través de la parte superior de la tubería.

**2.** La tubería de descarga desde el triturador es una línea independiente y ningún otro tubo de desagüe deberá desembocar en él.

**3.** Ninguna tubería horizontal de a la unidad debe superar 18 pulgadas antes de desembocar en la vertical.  
**Nota:** Tras el primer conducto vertical, cualquier conducto posterior deberá ser horizontal con un declive determinado. Por lo tanto, no se puede cambiar la dirección hacia una vertical ascendente.

**4.** Use codos de curva abierta de 90 grados o dos codos de 45 grados adyacentes para crear un giro de 90 grados.

**5.** El triturador deberá colocarse junto al inodoro y a su mismo nivel.

**6.** Si el punto de descarga en la pila del suelo es inferior a la base de la unidad, habrá que colocar una válvula de vacío en el punto más alto de la tubería para evitar el sifonamiento.

**7.** La trituradora no tolera artículos higiénicos como condones, tampones, compresas, hisopos de algodón, etc., sin dañarse.

**8.** Cualquier tubería de desagüe que conduzca a la bomba deberá tener un mínimo de 1/4" de caída por pie. Cualquier tubería de descarga horizontal también tendrá esta inclinación mínima.

**9.** El funcionamiento total de la tubería de descarga debe tener al menos 3 pies (combinado) antes de drenar en una pila más grande.

**10.** No se instalará la tubería de descarga con una pendiente diagonal ascendente.

**IV DIMENSIONES Y CAPACIDAD DE LA DESCARGA**

Véase la página 2

**V MONTAJE DEL ASEO**

**1.** La cisterna del inodoro consta de unas válvulas de llenado y vaciado instaladas; no obstante, compruebe que todas las conexiones estén selladas.

**2.** Coloque el triturador en el lugar deseado y conecte todos los tubos de la unidad de residuos de entrada y salida. (Vea la sección VII - Conexión de la Tubería de Descarga).

**3.** Ajuste firmemente el conducto de salida de la taza del inodoro con el conector blanco de acordeón y haga una marca a través de los agujeros del recipiente.

**4.** Quite los agujeros del recipiente y el tubo y aléjelos aproximadamente a 2 1/4" de profundidad con un taladro de mampostería de 5/16". Inserte los tapones de plástico. Si la pared es de madera, perforo un agujero con una broca de 1/4".

**5.** Coloque el depósito delante de la trituradora y tire de la junta de acordeón (H) hasta llegar al conducto de salida posterior. Fíjelo con la abrazadera suministrada. Compruebe que la unión de la junta y la abrazadera es uniforme en toda la circunferencia. (Ver SECCIÓN VIII – PREPARACIÓN DE LA UNIDAD DE MACERACIÓN)

**6.** Ponga el depósito sobre los agujeros en la base. Deslice los protectores de plástico de la porcelana sobre el tirafondo. Apriete el tirafondos (sin pasarse de rosca) y coloque los tapones de plástico en su sitio.

**7.** Sitúe la cisterna sobre el kit de la taza y la junta de goma en el agujero del tanque sobre la tuerca. Inserte los tornillos y la junta a través de la cisterna y apriete las tuercas de debajo. No apriete demasiado ya que podría dañar la porcelana.

**8.** Conecte la manguera de suministro de agua a la válvula de llenado.

**9.** Todas las tuberías deben ser rígidas: tubo SCH 40 (PVC, CPVC, cobre).

Los soportes para las tuberías deben alejarse al menos de tres pies de distancia.

Tenga en cuenta que la unidad, así como la mayoría de las tuberías y conexiones deben ser de fácil acceso.

**VI CICLO DE FUNCIONAMIENTO NORMAL**

Cuando se tira de la cadena o el lavabo vierte agua, el agua y los desechos entran en la unidad y el nivel de agua se eleva, activando un micro-interruptor en la cámara de presión. Éste activa el motor. La bomba recoge los desechos triturados y los envía a una tubería 3/4" o 1": SCH 40 (PVC, CPVC, cobre) a una alcantarilla sanitaria o tubería bajante.

**Nota de seguridad:** Por seguridad, no se debe activar nunca la unidad trituradora con la tapa abierta.

**VII CONEXIÓN DE LA TUBERÍA DE SALIDA**

Estos sistemas cuentan con un codo de salida que incorpora una válvula de retención (A), una manguera de descarga flexible (B), un plástico de acoplamiento (C) y una conexión reductora de goma (D). Siga los siguientes pasos para conectar a la tubería de salida. Cuando asegure las abrazaderas, utilice una llave inglesa en

lugar de un destornillador para asegurarse de que las conexiones sean herméticas.

**1.** Inserte el extremo más grande de plástico del codo de salida (A) en la manguera de descarga de goma que sale de la parte superior de la bomba.

**2.** Gire la salida en cualquier dirección y fije la base del codo con una abrazadera (L).

**3.** Conecte la manguera flexible (B) en el extremo más pequeño del codo de descarga y asegúrelo con una abrazadera (J).

**Para 3/4" CPVC (22 mm)**

**4.** Inserte el tubo de salida de la manguera flexible (B) y asegúrelo con una abrazadera (J).

**Para 3/4" PVC (28 mm)**

**4.** Inserte el extremo más pequeño del plástico de acoplamiento (C) dentro de la manguera flexible (B); Asegure con brida (J).

**5.** Conecte la conexión reductora de goma (D) al otro extremo del plástico de acoplamiento (C); asegúrelo con una abrazadera (K).

**6.** Corte el extremo de la conexión reductora de goma para adaptarlo a la tubería de 1"; Asegure con una abrazadera (K).

**Nota:** Instale una válvula de bola en la línea de descarga para facilitar la evacuación de la unidad.

Si quiere que la unidad bombee vertical y horizontalmente, debe calcular que ha de elevar 3 pies verticalmente, lo equivalente a 30 pies horizontalmente. Tenga en cuenta que todos los drenajes horizontales requieren una caída mínima de 1/4 de pulgada por pie.

Cada curva o cambio de dirección provoca pequeños desfases que influyen en el funcionamiento de la descarga (por ejemplo, se reduce la altura 3 pies por cada giro de 90 grados). Se utilice codos de curva abierta de 90 grados o dos codos de 45 grados consecutivos para crear los 90 grados. **No utilice codos cerrados de 90 grados.**

**VIII PREPARANDO LA TRITURADORA**

Siga los pasos de la página 3.

**IX RACCORDEMENT A UN SYSTEME D'AERATION**

La trituradora debe estar ventilada. Para ello tiene una entrada de 1-1/2" en el lado de la caja. Debe conectarse a un sistema de ventilación según los códigos de fontanería locales.

Instale el codo de caucho de 90 grados (K) en esa entrada para comunicarla con la tubería de ventilación y fije con abrazaderas (N). Tenga en cuenta que todos los sanitarios conectados al sistema también deben estar ventilados.

**Advertencia:** No use una válvula de admisión de aire o un dispositivo de ventilación con resorte mecánico, ya que son válvulas unidireccionales. La presión de aire dentro y fuera de la trituradora debe ser igual.

**X CONEXIÓN AL LAVABO**

La trituradora viene equipada con una entrada adicional de 1-1/2" en el lado de la caja. Esta entrada se conecta a la tubería de desagüe de un lavabo con la trituradora. Utilice el acoplamiento proporcionado de 1-1/2"x 1-1/2"

(I) cuando se conecte a un lavabo. Esta conexión se fija con las abrazaderas (L) proporcionadas cuando se instale.

**Nota:** La distancia real entre el sifón del accesorio adicional y la trituradora determina la separación necesaria para instalar el sifón y la elevación necesaria para asegurar un flujo de ¼" por pie de caída.

## XI CONEXIÓN A LA RED ELÉCTRICA

Todo el cableado debe seguir la normativa eléctrica aplicable en su territorio. La trituradora requiere una fuente monofásica de 120 voltios, 15 amperios. Cuando se instala en un cuarto de baño, el enchufe debe estar a 40 pulgadas (en línea recta) de una ducha o bañera. Conecte solo a una toma de corriente protegida por un interruptor de circuito con toma de tierra (GFCI).

**Advertencia:** Riesgo de shock eléctrico - Esta bomba contiene un conductor a tierra y un enchufe con conexión a tierra para reducir el riesgo de shock eléctrico. Asegúrese de que está conectado solamente a una toma de corriente - tipo de enchufe.

## XII ACTIVACIÓN DE LA UNIDAD/USO

1. Asegúrese de que el inodoro esté libre de escombros antes de activar.

2. Abra la válvula de cierre de agua y deje que la cisterna se llene.

3. Asegúrese de que la alimentación está encendida.

4. Tire de la cadena varias veces a intervalos durante los cuales depositará unas hojas de papel higiénico en la taza. No debe quedar ningún papel en el recipiente después de cada descarga.

El ámbito de aplicación de las unidades de trituración SFA normal sólo se refiere a la eliminación de los desechos humanos, papel higiénico y agua.

### ADVERTENCIA:

**No vierta ácidos, alcaloides, disolventes de pintura, decapantes de pintura, desperdicios de comida, bolsas de plástico o metal, tales como clavos, horquillas para el pelo, madera, materiales de construcción, arena para gatos o algo que pueda detener, dañar o corroer la unidad.**

**Si ignora lo anterior, podría dañar la trituradora y anularía su garantía.**

**No cuelgue bloques de lejía o limpiadores de clorhidrato del tanque del inodoro. Se ha demostrado que estas soluciones deterioran los componentes de plástico y neopreno de las válvulas de vaciado y llenado y pueden causar fugas. En caso de apagón, no use el inodoro u otros aparatos sanitarios conectados a la trituradora ya que no funcionará hasta que se restablezca la energía.**

El inodoro funciona como inodoro convencional y no necesita ningún mantenimiento en condiciones normales de uso. Sin embargo, no pasa nada por limpiar la unidad de trituración una vez al año. Utilice el desincrustante anti-cal Saniflo si el agua es dura. No use lejía (evite la entrada de agua en el cordón eléctrico de apertura).

La trituradora funciona automáticamente cada vez que el inodoro o el lavabo descargan.

Cuando la unidad no vaya a usarse durante periodos largos de tiempo (vacaciones, falta de energía eléctrica, mantenimiento, etc.) apague el suministro de agua al tanque y enjuague la unidad para evacuar el agua. No permita nunca una fuga al recipiente del tanque.

En zonas propensas a la congelación, debe acondicionarse la totalidad del sistema. Ello incluye el drenaje de todos los tubos, el tanque del inodoro, la taza de la fuente y el tanque triturador. El triturador es fácil de acondicionar para el invierno. Vierta una jarra de anticongelante en el depósito de plomo y tire de la cadena. Esto hará funcionar la trituradora y todo el agua restante se sustituirá por anticongelante. Ni las piezas ni la mano de obra están garantizadas si las incidencias se deben a congelación.

Asegúrese de que no haya grifos abiertos. El goteo acaba llenando la bomba y como resultado, se activará el motor repetidamente.

## XIII ACCESO A LOS PRINCIPALES COMPONENTES

(Sólo para personal cualificado)

La trituradora es muy estable y con un uso normal ofrece un servicio seguro de varios cientos de miles de ciclos. Sin embargo, puede haber casos en que se pueda requerir una pequeña intervención.

**ADVERTENCIA: Antes de comenzar cualquier trabajo, por favor asegúrese de desenchufar la unidad de la fuente de alimentación.**

1. Si un objeto extraño cae dentro de la unidad de trituración y se atasca en el sistema de la hoja, siga los pasos descritos en la página 5 para extraerlo.

**Nota:** se puede eliminar panel de servicio en el lado izquierdo utilizando la herramienta proporcionada.

**ADVERTENCIA: No intente extraer el objeto con la mano, sino que debe utilizar pinzas.**

2. Si hay que reemplazar el condensador, con micro-interruptor o membrana, por favor siga los pasos de la página 6.

**Nota:** Puede eliminarse el panel de servicio en el lado derecho utilizando la herramienta proporcionada.

**ADVERTENCIA: Antes de comenzar cualquier trabajo, por favor asegúrese de desenchufar la unidad de la fuente de alimentación.**

Estos tres componentes se consideran parte de la sección de la bomba de detección de presión. En caso de dudas sobre la manera de sustituirlos, por favor llame al número de soporte técnico aparece en la cubierta de este manual.

## XIV DEVOLUCIÓN Y REPARACIÓN DE LA UNIDAD DE TRITURACIÓN

En caso de tener que devolver la unidad al servicio, por favor llame para ver las posibles opciones, o para solicitar información acerca de un taller de reparación autorizado en su zona. Cuando tenga que devolver el triturador al fabricante o taller de reparación, por favor asegúrese de que antes de su envío la unidad ha sido limpiada y desinfectada por dentro y fuera. La limpieza supondrá un recargo por mano de obra (\$50,00).

Por favor, embale adecuadamente el triturador con envolviéndolo con material que absorba los impactos.

Si se realizan las reparaciones fuera de garantía, o cuando el usuario haya dañado el triturador, se le informará de los costes de reparación.

## XV MANTENIMIENTO

(Sólo para personal cualificado)

1. Si necesita abrir la unidad o retirar el motor, por favor abra la tapa para acceder más fácilmente. Encontrará una junta entre la tapa y la cubierta destinada a evitar cualquier fuga en la unidad.

2. Tenga en cuenta que el motor está lleno de aceite

dieléctrico. No lo quite ni sustituya por aceite normal. Por favor, tenga en cuenta que el distribuidor no mantiene deliberadamente las juntas, cojinetes o aceite en stock. Si se quita la tapa que mantiene el aceite, la garantía queda automáticamente anulada.

3. Al cerrar la tapa, asegúrese de engrasar o lubricar la junta de la tapa con agua jabonosa o jabón lavavajillas. Inserte el precinto de plomo en las juntas internas de la tapa interior. Cuando la tapa esté casi en su sitio, golpéela hacia abajo con un bloque o mazo de caucho.

# GARANTÍA LIMITADA

## Garantía de dos años a partir de la fecha de compra

Bajo reserva de las modalidades y condiciones indicadas a continuación, SFA-SANIFLO INC., (en adelante, la Compañía) le garantiza que reparará o reemplazará, según su voluntad, el producto o cualquiera de sus piezas que, en opinión de la Compañía, resulte defectuosa o no responda al rendimiento esperado por un defecto de fabricación o de material.

En caso de que deba llevarse a cabo la sustitución, esta solo tendrá una validez de 180 días a partir de la fecha de compra. Las reparaciones en periodo de garantía se aplicarán después de esta fecha hasta el fin de la garantía.

### CONDICIONES

Las condiciones de la garantía son:

- El producto debe instalarse conforme al uso descrito en los manuales adjuntos.
- El producto debe conectarse a una toma eléctrica monofásica de 120 V, 60 Hz y no debe ser objeto de ninguna negligencia, sufrir un accidente ni entrar en contacto con productos o sustancias nocivas.
- El supuesto defecto o falta deberá comunicarse o al instalador o a la compañía durante el periodo de cobertura de la garantía.
- El periodo de cobertura de la garantía es de 2 años.

### CAMBIO DE PIEZA O PRODUCTO

Solo se podrá devolver el producto, sin gastos, en el punto de venta donde se adquirió, bajo reserva de las condiciones siguientes:

- El cliente debe disponer de una "autorización de devolución" del fabricante con el fin de autorizar la sustitución.
- El cliente deberá presentar una prueba de compra para que se autorice el cambio.

### RESTRICCIONES

1. Los mecanismos de vaciado y de llenado de la reserva solo están en garantía por el fabricante de origen;
2. La porcelana solo está garantizada contra los defectos de fabricación;
3. La garantía no cubre los gastos de conexión y reconexión de la instalación (es decir, los gastos de mano de obra), que corren a cargo del cliente;
4. La garantía no cubre los gastos de envío ni de transporte cuando una o varias piezas del aparato deba(n) repararse en fábrica;
5. En ningún caso se considerará responsable a la Compañía por daños complementarios o indirectos, pérdidas o lesiones de cualquier índole, resultantes del uso del producto o de cualquiera de sus componentes;
6. La garantía solo es transferible cuando el aparato permanezca en el lugar donde se instaló inicialmente.

Salvo por lo que respecta a los términos de esta garantía limitada, la compañía no acepta ninguna otra garantía, implícita o explícita, relacionada con el producto o con cualquier otro componente inherente, y sin carácter limitativo, cualquier otra garantía implícita en relación con el valor en el mercado o con la adaptabilidad de este producto a un fin particular.

---

Le rogamos que se ponga en contacto con cualquiera de las direcciones indicadas a continuación para solicitar servicio técnico o cualquier otra información.

#### Estados Unidos

SFA-SANIFLO INC.  
105 Newfield Avenue, Suite A  
Edison, NJ 08837

#### Canadá

SFA-SANIFLO INC.  
1-685 Speedvale Avenue West  
Guelph ON  
N1K 1E6

Número gratuito: 1-800-571-8191  
Teléfono: 1-732-225-6070  
Fax: 1-732-225-6072  
Correo electrónico: [sfasales@saniflo.com](mailto:sfasales@saniflo.com)  
Web: [www.saniflo.com](http://www.saniflo.com)

Número gratuito: 1-800-363-5874 English  
Número gratuito: 1-800-877-8538 French  
Teléfono: 1-519-824-1134  
Fax: 1-519-824-1143  
Correo electrónico: [sales@saniflo.com](mailto:sales@saniflo.com)  
Web: [www.saniflo.ca](http://www.saniflo.ca)

**SFA**