

229

01.10
IND1-02

SFA

SANIPLUS®

IMPORTANT

**DO NOT RETURN ANY MERCHANDISE TO THE VENDOR
NE PAS RETOURNER DE MARCHANDISE AU VENDEUR**

For Customer Service, Returns or Technical Questions, please call Saniflo's technical support toll-free at
800-571-8191 (USA) or 800-363-5874 (CDN).

Pour le service client, les retours ou toute question technique, merci d'appeler le service technique de Saniflo
au numéro suivant : 800-571-8191 (USA) ou 800-363-5874 (CDN).

The user should retain these instructions for future reference • A lire attentivement et à conserver à titre d'information

This product must be installed in strict accordance with local plumbing codes.

Product should be installed by a licensed plumber.

Le produit doit être installé dans le respect des règlements sanitaires locaux.

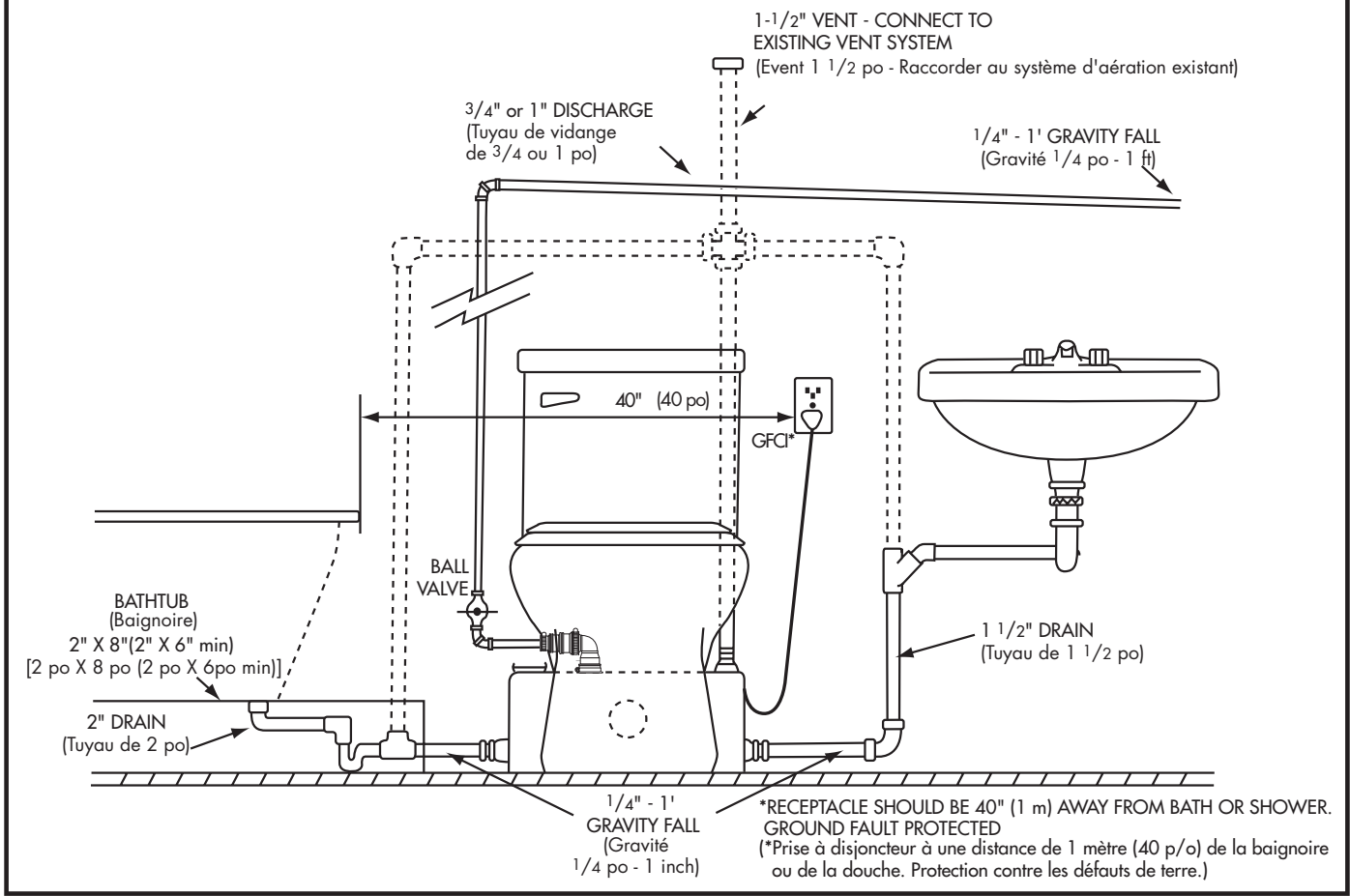
Le produit doit être installé par un plombier qualifié.



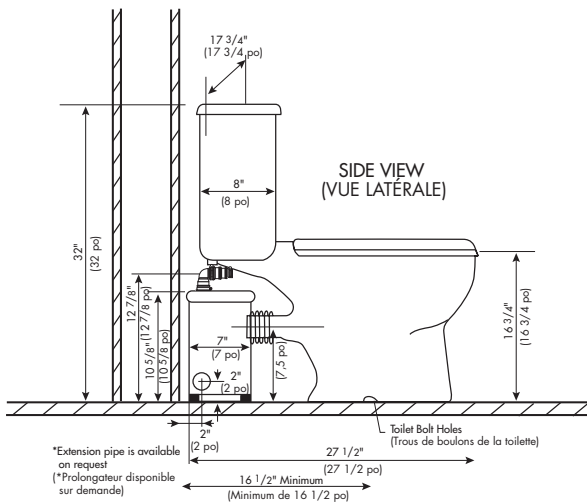
INSTALLATION AND MAINTENANCE INSTRUCTIONS INSTRUCTIONS D'INSTALLATION ET DE MAINTENANCE

SANIPLUS®

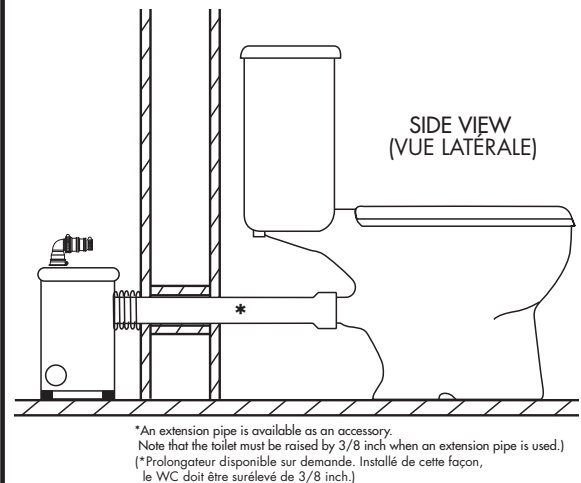
Suggested Installation (Installation proposée)

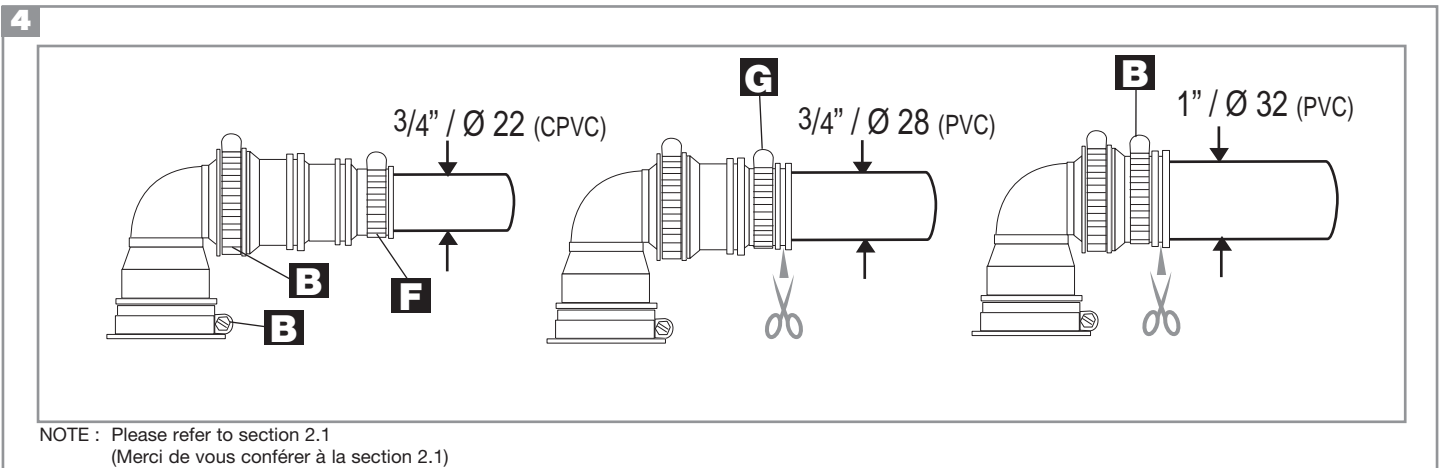
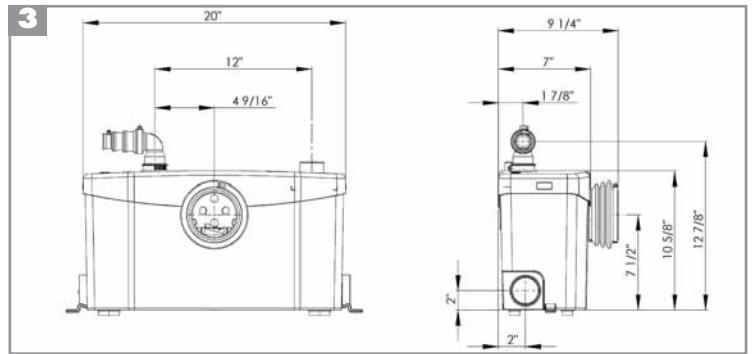
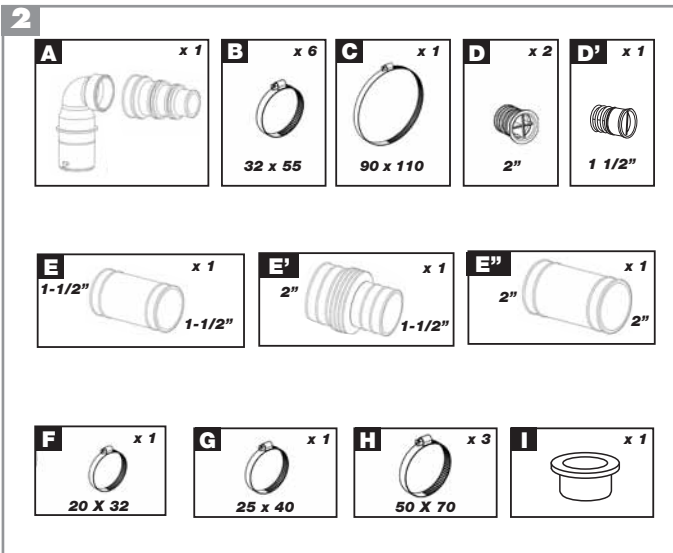
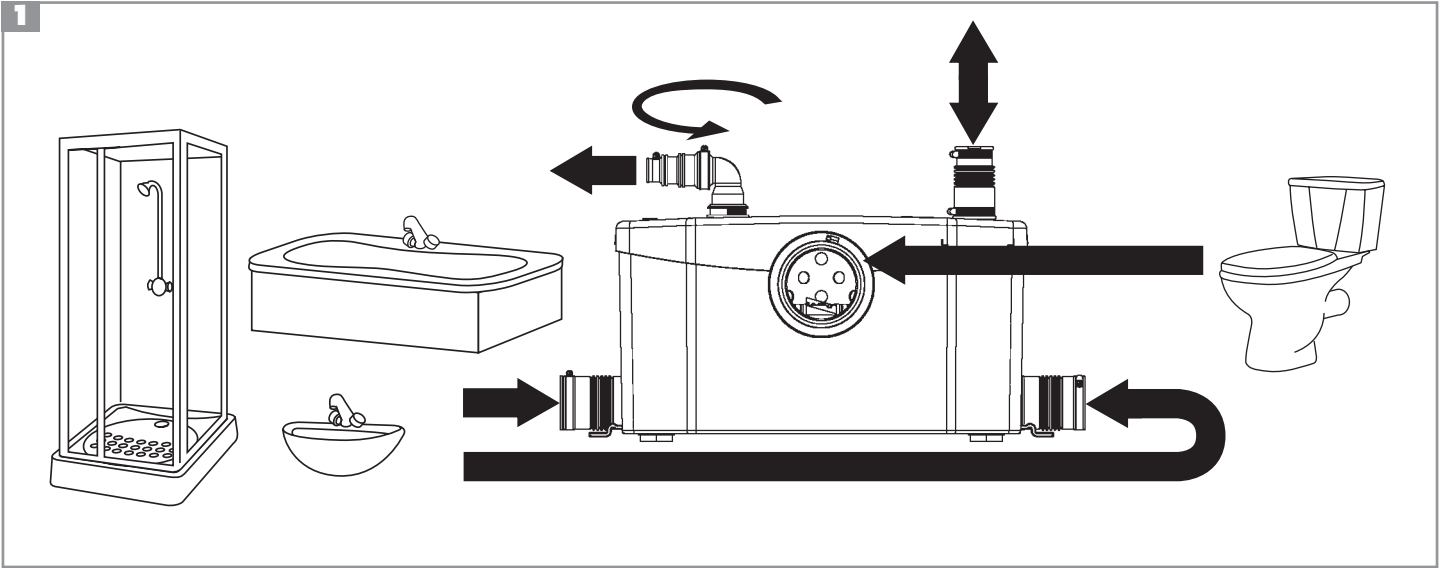


Rough-In (Round Bowl) (Mise en place des canalisations et supports d'appareils)



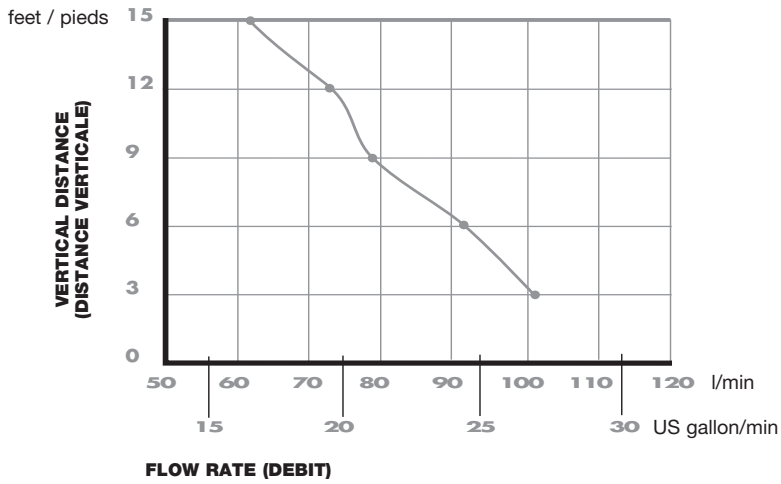
Optional extension pipe for location of the macerator behind a wall (Prolongateur en option pour la mise en place d'un appareil derrière un mur)



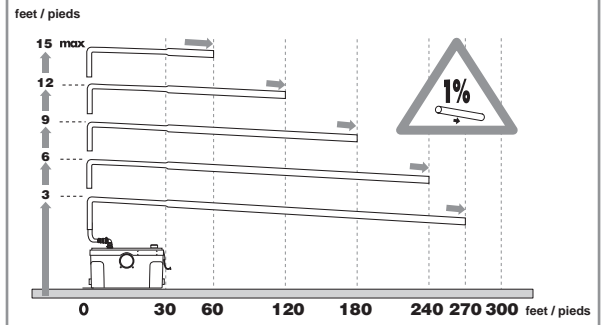


NOTE : Please refer to section 2.1
(Merci de vous conférer à la section 2.1)

5 PERFORMANCE

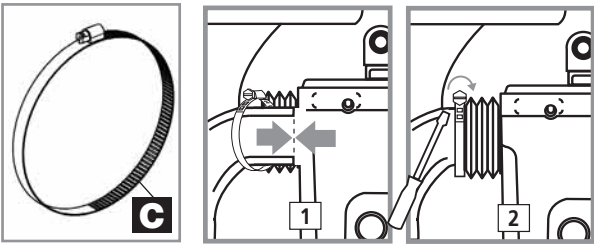


6

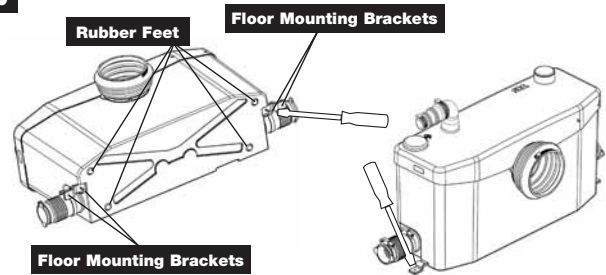


7

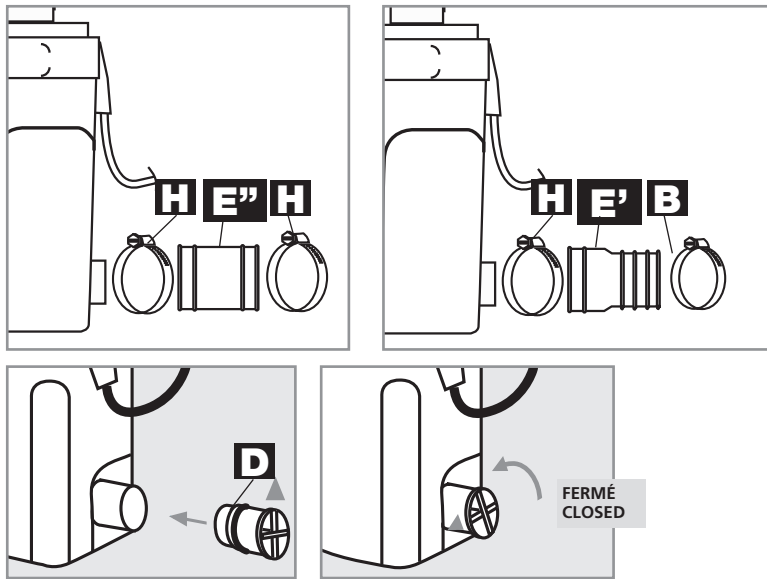
7a



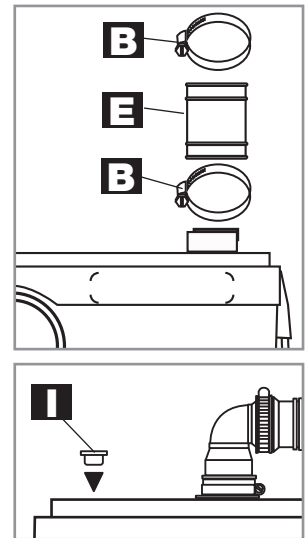
7b



7c



7d



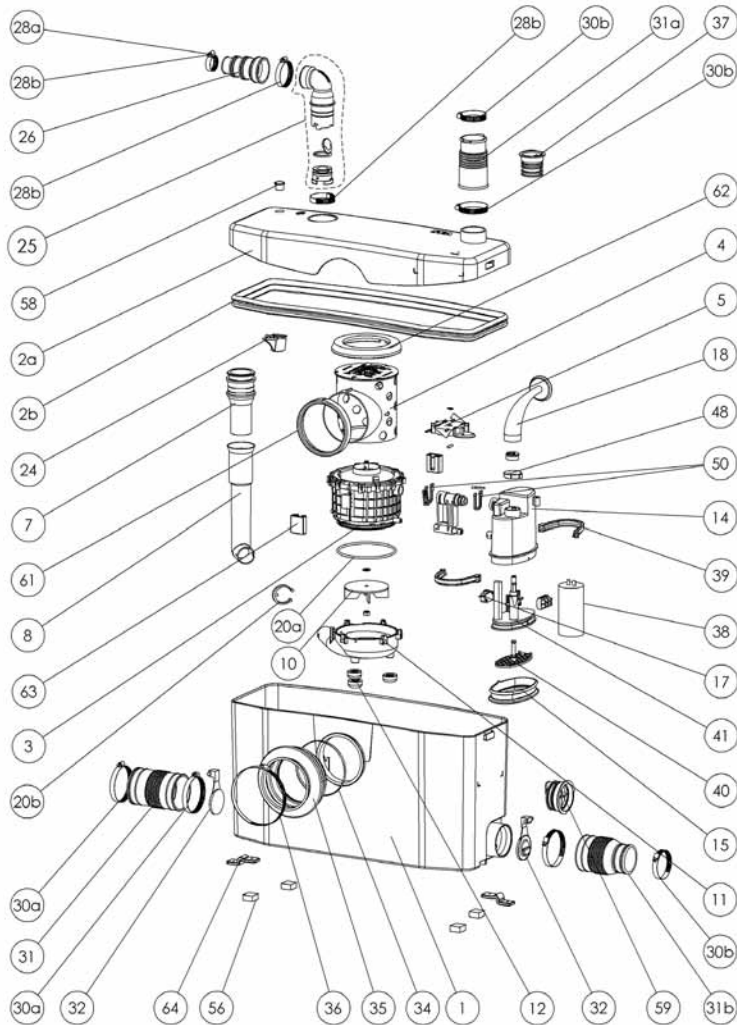
8

SANIPLUS 2® SFA SANIFLO

115 V - 60 Hz - 4,5A - 1/2 HP
IP44 - ⅓ - 6,4 kg



SCHEMATIC DIAGRAM SANIPLUS / SCHÉMA DU SANIPLUS



Parts Description

- | | | | | |
|------------------------|-------------------------------|-------------------------------|--------------------------|-----------------------------------|
| 1 Case | 12 Pump cover feet | 28b Discharge valve hose clip | 36 Screw clamp 90-110 | 59 2" Blanking plug |
| 2a Lid | 14 Pressure chamber | 32/55 | 37 1-1/2" Blankingplug | 61 Panier Lateral grille absorber |
| 2b Lid seal | 15 Membrane | 30a Hose clip 50/70 | 38 Condenser 45µf | 62 Upper grille absorber |
| 3 Motor | 17 Micro switch | 30b Hose clip 32/50 | 39 Horseshoe clip | 63 Lateral motor absorber |
| 4 Long grille | 18 Cable insulator | 31 60/60 waste inlet | 40 Push rod | 64 Fixation leg |
| 5 Blade | 20a Ring for pump cover plate | 31a 46/46 waste inlet | 41 Pressure chamber base | |
| 7 Short discharge pipe | 20b Elbow clip | 31b 60/46 waste inlet | 48 Cable grip 33.1 | |
| 8 Long elbow | 25 Discharge elbow | 32 Inlet control | 50 Spring clip assembly | |
| 10 Impeller PLUS / TOP | 26 Three outlet pipe | 34 Tie-wrap | 56 Case feet | |
| 11 Pump cover plate P3 | 28a Discharge hose clip 25/40 | 35 Pan gasket | 58 Plastic cap | |

Composants de l'appareil

- | | | | | |
|---------------------------|--------------------------------------|---|-------------------------------------|---------------------------------|
| 1 Boîtier | 14 Chambre de pressostat | 28b Collier coude-clapet d'évacuation 32/55 | 37 Bouchon 1-1/2" | 59 Bouchon 2" |
| 2a Couvercle | 15 Membrane | 30a Collier 50/70 | 38 Condensateur 45 uF | 61 Amortisseur latéral panier |
| 2b Joint du couvercle | 17 Micro-interrupteur | 30b Collier 32/50 | 39 Collier en forme de fer à cheval | 62 Amortisseur supérieur panier |
| 3 Moteur | 18 Isolant du câble | 31 Manchon 60/60 | 40 Tige poussoir | 63 Amortisseur moteur |
| 4 Panier | 20a Joint de fond de pompe | 31a Manchon 46/46 | 41 Base de la chambre de pressostat | 64 Patte de fixation |
| 5 Couteau | 20b Collier de maintien | 31b Manchon 60/46 | 48 Serre-câble 33.1 | |
| 7 Mini durite | 25 Coude d'évacuation | 32 Battant de clapet | 50 Agrafe | |
| 8 Long coude | 26 Manchon trois sorties | 34 Tie-wrap | 56 Pieds du boîtier | |
| 10 Turbine | 28a Collier coude d'évacuation 25/40 | 35 Manchette WC | 58 Capuchon | |
| 11 Fond de pompe | | 36 Collier 90-110 | | |
| 12 Pieds du fond de pompe | | | | |

1 INTRODUCTION

This macerator is manufactured in a factory which is quality certified to ISO 9001 (2000) accredited by AFAQ. This equipment benefits from the latest technological innovations concerning soundproofing. To benefit fully from the advantages provided by this new generation of appliances, it is important to comply with the installation instructions.

1.1 - GENERAL DESCRIPTION

The macerating unit is a residential pumping system for toilet and bathroom fixtures. The system is comprised of three major components :

- the macerating unit, which connects to the outlet of a rear spigot outlet toilet
- The toilet bowl
- The toilet tank

The macerating unit also consists of three major parts: the container which houses the operating mechanism; a pressure chamber which automatically activates and deactivates; the induction motor which drives the cutting blade and the impeller.

The macerating unit can simultaneously receive wastewater from several sanitary fixtures, e.g. sink, shower, bathtub, urinal, but only one water closet per unit.

Macerating units are designed for the disposal of human waste, toilet paper and water. They are not intended to be used for the disposal of kitchen waste, neither are they intended to be used for the disposal of waste water from such pump appliances as dishwashers and clothes washers.

Macerating system must discharge into a minimum 3/4-inch sanitary drainage pipe. The macerating system will pump up to 15 feet vertically, with a 1/4" per foot gravity fall (minimum) constantly throughout the horizontal run to the point of discharge. If you require a vertical lift it should precede any "horizontal" run and should commence as near as possible to the discharge elbow. **Once you have started the horizontal run, you cannot change directions in an upward vertical manner.**

SANITARY INLETS

The macerating unit is equipped with two additional 2" inlets, one on either side of the case. These inlets, which incorporate an internal check valve, are used to connect the drainpipe of other sanitary fixtures to the macerating unit.

Note: In case one of the inlets is not used by a fixture, you will need to block off this inlet with the plugs provided.

BATHTUB

Any regular bathtub can be used, as only the drainpipe connects to the macerating unit. When installing a bathtub, we recommend to build a platform out of 2 x 8-inch lumber, on which the tub is placed. This gives enough space for a p-trap and slope toward the wastewater inlets.

SHOWER STALL

When installing a shower, a special raised shower base can be installed. This eliminates the building of a platform. Alternatively, you may want to purchase a regular shower and also build a platform for it. We recommend to build a platform out of 2 x 8-inch lumber.

Note: Platform height. The actual distance between the p-trap of the additional fixture and the macerating unit determines the necessary clearance to install the p-trap and elevation required to ensure a minimum gravity flow of 1/4-inch per foot.

1.2 - NORMAL OPERATING CYCLE

As the flush is operated or as the bath, shower and lavatory discharge, the water and waste enter the unit and the water level begins to rise, triggering the micro-switch in the pressure chamber. This in turn activates the motor. The shredded waste is picked up by the impeller and discharged through a 3/4" or 1" outlet pipe to a sanitary sewer or soil stack.

Safety note: For safety the macerating unit should never be activated with the lid removed.

2 INSTALLATION

2.1 - PREPARING THE MACERATING UNIT

The plastic discharge elbow/check valve assembly should be inserted (long end) into the rubber hose located on the top of the lid. The step-down rubber fitting should then be inserted at the discharge side of the elbow assembly and secured with the provided metal clamps. The step-down rubber fitting may need to be cut depending on the discharge pipe diameter. Three metal clamps should be used to secure all fittings.

2.2 - CONNECTION OF THE OTHER SANITARY APPLIANCES

Saniplus : See page 3 drawing 7c

- To connect to the side entries of the case, use the side connector. Secure with clamps.
- Plug the unused inlet with blanking plug after greasing the joint.

Warning: Ensure when connecting a shower to the macerating unit that the underside of the shower tray is raised by at least 7 inches from the floor.

2.3 - WATER CLOSET ASSEMBLY

The tank comes with the fill and flush valve assembled, however, please ensure that all screws, nuts, etc. are tightened

2.4 - SYSTEM ASSEMBLY

Saniplus : See page 3 drawing 7a

1. Place the macerating unit in the desired spot and connect all inlet and outlet waste piping to the unit. (See Connection to discharge pipe work).
 2. Place the spigot outlet of the toilet bowl firmly against the white accordion connector and mark the floor through the holes in the bowl.
 3. Remove bowl and bore two holes approximately 2 1/4" deep with a 5/16" masonry drill bit. Insert plastic plugs into holes. If the floor is wood, bore a pilot hole with a 1/4" drill bit.
 4. Place the bowl in front of the macerating unit and pull the accordion gasket all the way onto the rear spigot outlet. Attach with supplied gear clamp. Check that gasket and clamp are even all around.
 5. Move the bowl over the holes in floor. Slip the plastic china protectors over the lag screws. Tighten lag screws (do not over tighten) and snap plastic cover caps in place.
 6. Locate the tank to bowl kit and place foam gasket on the spud of the flush valve and over nut. Place tank on top of the bowl. Insert screws and gasket through the tank and tighten nuts underneath. Do not overtighten as this may damage the china.
- The system is supplied with fixing lugs to prevent it from moving during use. To optimize the latest technical developments concerning soundproofing incorporated into this unit, it is important to:
- position the WC pan so that it is not in contact with a partition or wall of the room.
 - place the WC pan on a perfectly level surface to ensure that the resilient mounts are fully efficient.
 - fix the discharge pipe correctly with distances of not more than 3ft (1m) between the fastenings.

2.5 - CONNECTION TO WATER SUPPLY

Connect the water supply hose to the fill valve.

2.6 - CONNECTION TO THE DISCHARGE PIPE WORK

These macerating units have an elbow, and a «step-down» bushing simply cut off the appropriate portion of the bushing in order to fit it to the discharge pipe. Use ridged wall pipe, not flexible pipe or hose, as flexible pipe may distort over time. Use 3/4" or 1" discharge pipe.

Install a "full-port" ball or gate valve and a union in the discharge pipe in order to facilitate the removal of the macerating unit. Place the union or hose connector then the valve at the lower portion of the discharge pipe.

If you wish the unit to pump vertically and horizontally you may calculate that 3 feet of vertical lift is equivalent to 30 feet of "horizontal" run.

Each bend or change of direction causes minor losses, which must be deducted from the discharge performance figures in accordance with the usual head loss practice. (Rough guide: reduce discharge height by 3 feet for each 90° turn).

The discharge pipe work can be made from 3/4" diameter material. Copper (Type M), CPVC or PVC. Use long turn bends and not elbows, elbows are not normally available in plastic piping, use two 45° pieces back to back to make a 90° elbow.

The connection to the soil-stack or sewer pipe should be made with an approved wye fitting. When in doubt about this procedure please have a plumbing contractor install this for you.

As an optional accessory, we recommend the installation of an external alarm system "SANIALARM" (fitted to the lid of the unit), which warns the user in case of abnormal water level inside the case. This is available from your Saniflo supplier.

2.7 - SEWER PIPE (COPPER, CAST IRON, PVC, ABS)

1. Install an appropriate wye fitting into the sewer pipe, (with 1 1/2" branch hub).

2. Read point 3a first if using a copper wye. Glue a bushing, ((spigot x FPT) 1 1/2" x 3/4") into the 1 1/2" hub of the Y fitting.

3. Screw male adapter, ((MPT x Hub) 3/4" x 3/4" sweat) into the bushing, when discharge piping is in copper buy brass adapter, when in CPVC buy CPVC adapter.

a. When in copper; solder a length of pipe to the male adapter first, allow to cool then screw assembly into female bushing into the branch socket. When soldering pipe systems together, wind a wet rag around the plastic to keep it cool. Maintain at least a distance of 6" between the plastic and the piece soldered. Use Teflon tape or 100% Teflon dope on male thread. Any other dope product will deteriorate plastic material.

b. When using CPVC material, use glue to glue the CPVC pipe into the ABS fitting. Caution: Do not use ABS glue on CPVC materials, as the plastic will not bond.

2.8 - CONNECTION TO ELECTRICAL SUPPLY

All wiring should be in accordance with the applicable electrical code in your territory. The macerating system requires a single-phase 120-volt, 15 Amp. supply. When installed in a bathroom, the receptacle should be 40 inches away (in a straight line) from a shower or bathtub. Connect only to receptacle protected by a ground fault circuit interrupter (GFCI).

Warning: risk of electric shock - this pump is supplied with a grounding conductor and grounding type attachment plug to reduce the risk of electrical shock. Be certain that it is connected only to a properly grounded - type receptacle.

2.9 - CONNECTION TO A VENT SYSTEM

Saniplus : See page 3 drawing 7d

The macerating unit must be vented. It has 2 inlets on the top of the cover: a 1 1/2" cap and a hole of smaller diameter.

The unit must be connected to a vent system according to the plumbing codes. Put the waste inlet (provided) on the cap and clamp it down. Then, connect the vent pipe. Note that all fixtures connected to the system must also be vented.

Warning: Do not use an air admittance valve or a mechanical spring-loaded venting device, as these devices are one-way valves. The air pressure in and outside the macerating unit must be equal, a "cheater" vent will obstruct the airflow one direction.

Note: The smaller diameter 1/2" hole must be plugged with a plastic cap supplied (i).

2.10 - ACTIVATING THE UNIT

1. Ensure that the toilet is free of building debris prior to activating.
2. Open the shut-off valve and let the tank fill up.
3. Ensure power supply is on.
4. Flush several times with intervals in between depositing a few sheets of toilet paper into the bowl to check discharge piping. Usually, there should be no paper remaining in the bowl after each flush.

3 USAGE

The normal domain of application of SFA macerating units only concerns the disposal of human waste, toilet paper and water.

SANIPLUS is designed for family use only and cannot accept without damage the disposal of sanitary items such as condoms, tampons, sanitary pads and cotton swabs.

CAUTIONARY NOTES:

Do not discharge any acids, alkaloids, solvents painting, paint strippers, food waste, plastic bags, metal such as nails, hairpins, wood, building materials, kitty litter or anything that could halt or damage or corrode the unit. Disregarding the above might damage the macerating unit and shall void your warranty.
Do not hang bleach blocks or hydrochloride cleaners in the toilet tank. These solutions have been shown to deteriorate the plastic and neoprene components of the flush and fill valves, and may cause leaks. In the event of a power loss do not use the toilet or any other sanitary fixture connected to the macerating unit since it will not work until the power is restored.

The toilet works as a conventional flushing toilet and needs no maintenance in normal use. However, there is nothing wrong with cleaning out the macerating unit once a year. Do not use bleach (Be careful not to let water enter the electrical cord opening).

The macerating unit starts automatically once the toilet is flushed or the bath, shower, hand basin, etc. discharge and cease operation once the contents have been pumped away.

Whenever the unit is not to be used for long periods of time (vacation, power failure, maintenance, etc.) turn off the water supply to the tank and flush the unit to evacuate the water. No leakage into the bowl should ever be permitted from the tank.

In areas, which are prone to freezing, the total system must be properly winterized. This includes the draining of all pipes, the toilet tank and bowl and the macerating tank. The macerating system is simple to winterize. Pour a jug of plumbers' anti-freeze into the tank and flush the toilet. This will cause the macerating unit to activate and all remaining water will be replaced by plumber's anti-freeze. No parts or labour are warranted when a breakdown occurs due to freezing.

Ensure that there are no faucets left open. Drops will eventually fill up the pump and the resultant repeated start-stop of the motor may heat up to such an extent, that the thermal overload switch may eventually operate and automatically stop the motor, thus possibly causing a flood.

4 PROBLEM SOLVING

4.1 - CHECKUP

The macerating unit is very reliable. With normal use long service is assured. However, in certain cases an incident may occur which you may rectify yourself. Before taking any action check the following points:

1. Plumbing system. Flush system, water supply turned on.
2. Electrical system. G.F.C.I. breaker on. Receptacle on. Fuse okay. Breaker on. Male plug still in receptacle. Check that the thermal overload has not operated; (wait approximately 20 minutes for unit to reactivate).
3. Hydraulic System. Check that the discharge and vent pipe are not blocked.

If the macerating unit turns on intermittently without the flush having been activated or water having been discharged, check that water out of the toilet tank is not leaking into the bowl. Or, that there is no leakage back into the macerating unit due to incorrect seating of the check valve and/or that the discharge elbow is seated properly.

4.2 - DISASSEMBLY FOR LITTLE INTERVENTION

As the unit is connected to the water and electrical supply, it is important to check that the following actions have been taken before removing the unit:

1. If possible, close off the water supply to the tank and close the ball or gate valve on the outlet pipe.
2. Pull the electrical cord out of the receptacle before removing unit.
3. Empty out as much water as possible from the toilet tank and the toilet bowl.
4. Disconnect toilet from unit. Remove toilet bowl and set aside against a wall to prevent from tipping over.
5. The use of a dry/wet type vacuum cleaner might assist you greatly in removing the residual water in the bowl or macerating unit.
6. When you have to remove the macerating unit, carefully disconnect the inlet drainpipes, (there might be residual water inside).
7. Side inlet valves clogged: remove the sleeves and use a screwdriver to free or clean the rubber flap if necessary.
8. For Saniplus, use the WC inlet to remove a foreign object with the help of a folded wire.

4.3 - RETURN AND REPAIR OF THE MACERATING UNIT

In the event that the unit needs to be returned for service, please call for possible options, or to inquire about an authorized repair shop in your area. When you are required to return the macerating unit to the manufacturer, please ensure that prior to shipping, the unit has been cleaned and disinfected inside and outside. A labour charge will be in effect for cleaning (\$50.00). Before returning any unit, a return authorization is needed from the manufacturer. Units returned without prior RGA number will be refused and returned collect. If you return the macerating unit in its original packaging, please remove the discharge elbow and retain until re-assembly. If elbow is not removed, damage due to shipping might occur.

Please package the macerating unit properly with adequate shock absorbent material around it.

Send this package prepaid to the manufacturer, making sure to insure against loss and/or transit damage, (the amount of \$300.00 will suffice).

If any repairs are done outside the warranty period, or when the user has damaged the macerating unit, you will be appraised of repair costs. All repair work will be conducted on a pre-paid basis only.

5 MAINTENANCE (for qualified personnel only)

5.1 - See paragraph 4 **PROBLEM SOLVING (4.1 and 4.2)**

5.2 - If you need to open the macerating unit, first release the discharge elbow, unclip the lid and pull up lid. In some cases the lid might be stuck to the case very tightly, (during assembly soapy water is used which dries up in time).

If required to remove motor from the case, unscrew motor retaining screws. Also release the insulator cable to the lid. Lift out motor assembly. Do not attempt to dismantle the motor assembly itself as it is "clipped" together. These clips may break off when trying to unclip them. In addition to damaging the clips the motor seals may be damaged when the lid is removed from the motor housing. The motor is filled with dielectric oil, do not remove it or replace with regular oil. Please note, the distributor purposely does not keep seals, bearings, or oil in stock.

5.3 - SANIPLUS FUNCTION CHECKUP IMPELLER

Invert motor to gain access to pump chamber at the base. Unclip pump cover plate from motor housing.

Unscrew the pump impeller counter clockwise, releasing it from the spindle (block the spindle to unscrew). Clean pump chamber and discharge elbow and pipe work to ensure no blockage exists. Check that drive shaft rotates freely. Also check that the air relief-hole in the wall of the chamber is clear.

CUTTER BLADE

The blades can be easily removed if they ever require replacement. Simply remove the retaining circlip on top of the blade/rotor assembly and lift rotor/blade assembly off the spindle. The blades can now be slid sideways, removed and replaced.

Safety note: The blades are sharp and should be handled with extreme care.

5.4 - CAUTIONARY NOTE

Do not immerse unit totally in water. Do not let water enter the electrical cord entrance opening.

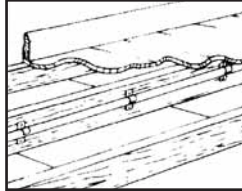
5.5 - REASSEMBLY OF THE LID

When replacing the lid grease the rubber gasket lightly with soapy water or dishwasher liquid. (Do not use Vaseline as this may expand the neoprene materials). **The gasket must be inside the lid first.** Start by pushing the lid down at the cord side first, then work your way around and tap on the lid with a rubber mallet or bloc



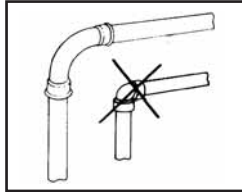
PIPE SUPPORTS

All sanitary pipe work must be supported, in accordance with the pipe manufacturer's recommendations. Avoid dipping or trapping, which may cause the build up of residual "solids" and subsequent blockage.



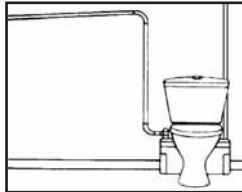
BENDS

Where possible long sweeping bends should be used. Do not use short elbows. If sweeping 90° elbows are not available use two 45° elbows to make a 90° turn.



VERTICAL INSTALLATION FIRST

If vertical lift is required, this must precede the horizontal pipe run.



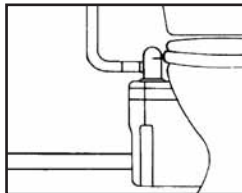
DIRECTLY VERTICAL

All vertical lifts should rise as directly above the unit as possible, allowing only for the need to clear the toilet tank. Any initial horizontal pipe run from the unit, prior to a vertical lift should not exceed 12-18 inches.



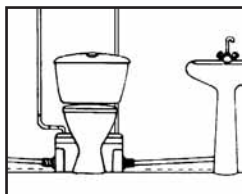
EASY ACCESS

The unit should be accessible and removable in the event of maintenance being required. During the installation a full-port ball valve should be installed at the base of any vertical discharge pipe work from the unit to allow easy service of the unit.



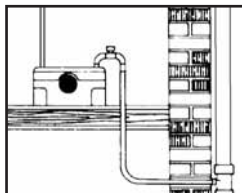
GRAVITY FALL

The unit accepts wastewater by gravity; it does not "vacuum" in water. All inlet pipe work must have a positive gravity fall, (1/4" per foot). All horizontal piping from the macerating unit must also have a positive gravity fall to allow free drainage when the pump stops.



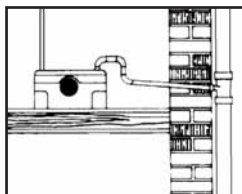
NO DIRECT FALL

Where the point of discharge into the soil stack is significantly lower than the base of the unit, a vacuum relief valve may need to be fitted at the highest point in the pipe run in order to avoid siphonage of the water seal.



THREE FEET MINIMUM

The macerating unit must be installed at least 3 feet from the soil stack. This will allow the macerator to operate for an adequate period of time to ensure efficient waste reduction.



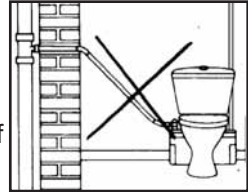
SOIL STACK CONNECTION

All discharge pipe work must be connected to the soil stack by an appropriate and approved connection. A "tee" or "y" fitting as shown is preferable.



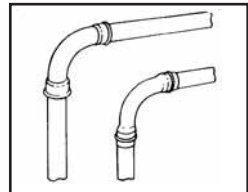
NO DIAGONAL "UPHILL" PIPE RUNS

All discharge pipe work from the unit should run either directly vertical upwards from it or in a horizontal plane (with a small gravity flow) to the point of discharge. Pipe work should not be installed with diagonal upward slope from the unit to the point of discharge.



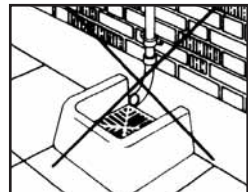
PIPE WORK

All pipe work should be either copper, PVC or CPVC (Do not use flexible pipes). Hangers should not be less than three feet apart to prevent pipe rattling.



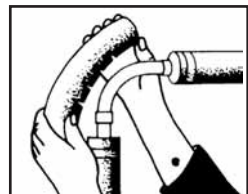
DISCHARGE

Never discharge directly into an open drain, fixture, manhole or rainwater drainpipe. It is illegal for it constitutes a health hazard. Direct connections into sanitary waste systems only, shall be acceptable.



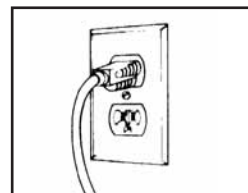
FREEZING

Ensure all pipe work susceptible to freezing is adequately insulated or heated. In unheated buildings, the toilet, piping and macerating unit must be properly winterized with "RV or plumbers" anti-freeze or drained completely.



ELECTRICITY

Before attempting any maintenance or servicing, the unit must be disconnected from the power source. The macerating system must be connected to a Ground Fault Circuit Interrupter (GFCI).



7 TROUBLE SHOOTING GUIDE

PROBLEM	CAUSE	REMEDY
Motor turns normally but the water evacuates slowly from the bowl, (flush incomplete).	Discharge pipe blocked or valve not vented properly.	Clean out the piping and air breather hole.
Waste build up in bowl.	Inadequate water supply from reservoir.	Check and/or adjust water level in reservoir.
The macerating unit does not start up. Water does not evacuate.	Power supply off. Thermal overload cut out.	Wait for thermal overload to engage (approx. 20 min).
The motor hums but does not turn the water does not evacuate.	Foreign body blocking the macerating blades. Defective capacitor.	See "dismantling".
Water goes down slowly and motor works intermittently.	Clogged up (sanitary napkin, newspaper, plugged breather hole etc.).	Flush 3 or 4 times to clear. Cleaning or dismantling may be required. Clean out the breather hole.
The water evacuates from the toilet but the motor runs for a very long time, thermal overload activates.	Kinked/blocked discharge pipe, damaged membrane, defective impeller, and partially blocked pump.	Check installation.
After evacuation the motor engages several times in succession before it stops completely.	Water siphons back into the macerating unit. Check valve is not functioning properly.	Flush once or twice with clean water to clear valve or remove valve to clean.
Motor turns noisily without stopping or pumping.	Siphonage or insufficient back pressure in discharge pipe, causing airlock. Foreign object.	Modify discharge pipe run to eliminate siphonage and/or increase backpressure. E.g. reduce pipe size, put extra bend in run. Remove foreign object.
After evacuation the motor starts, stops, and re-engages indefinitely.	Water leaking from reservoir into bowl. Faulty non-return check valve.	Check flush valve. Check and clean non-return check valve.
For Saniplus, the motor turns with a rattling noise.	Solid item has fallen into the grille of the macerating unit.	Clear object from grille area.
Water backs up into shower tray or bathtub.	Inadequate gravity-fall into macerating unit or blockage in drain piping. Faulty inlet control flap.	1/4" per foot gravity fall minimum into macerating unit from other sanitary fixtures. Clean out the flap.

IMPORTANT

When claiming a warranty repair we will need the information you have written down below. Please ensure that you have all particulars available when requesting warranty work.

Name Owner: _____

Installation Address: _____

Purchased From: _____

Installed By: _____

Date of Purchase: _____

Serial Number: _____

Date of Manufacture: _____ (see manufacturers' tag on unit)

LIMITED WARRANTY

2 Year Warranty from Date of Purchase

Subject to the terms and conditions set out below, SFA-SANIFLO INC., (hereafter designated the as the Company) warrants that it will repair or replace the product or any of its component parts, at the Company's discretion if it deems that the product or part it is defective or does not meet the rated performance due to a manufacturing or material default.

If replacement is to be issued, this will only be extended to the first 180 days starting from the date of purchase. Warranty repairs will apply after such date up to the warranty's date of conclusion.

TERMS AND CONDITIONS

The conditions of this warranty are the following:

- The product must be installed in accordance with the use described in the enclosed manuals.
- The product must be connected to a single phase 120V, 60Hz electrical outlet and was not subject to any negligence, accident or exposure to harmful products or substances..
- The alleged defect or fault must be reported either to the installer or to the Company during the warranty coverage period.
- The warranty coverage period is valid for 2 years.

PART OR PRODUCT EXCHANGE

The product may be exchange without cost only at the sales outlet where it was purchased subject to the following conditions:

- The customer must have an "authorized return number" from the manufacturer in order to validate exchange.
- The customer must produce proof of purchase to validate exchange.

LIMITATIONS

- 1.Fill and flush mechanism are guaranteed as per OEM warranty only.
- 2.Vitreous china are guaranteed only for a factory defect.
- 3.Cost of disconnection and reconnection (ie labor charges) are not covered by the warranty and are end-users responsibility.
- 4.Cost of mail or freight when a part or parts of the system have to be repaired at the company are not covered by this warranty.
- 5.In no event shall the company be reliable for any special, incidental or consequential damage, loss, or injury of whatsoever nature or kind arising from or in connection with the product or any component thereof.
- 6.The guarantee is transferable only when the product remains at the same premises as where it was installed initially.

Except as set forth in this Limited Warranty, the company disclaims all other warranties, express or implied, with respect to the product or any component thereof including, but not limited to, all implied warranties for merchantability and fitness for a particular purpose.

For Service and other inquiries, please call either of the addresses listed below.

United States
SFA-SANIFLO INC.
105 Newfield Avenue, Suite A
Edison, NJ 08837

Canada
SFA-SANIFLO INC.
1-685 Speedvale Avenue West
Guelph ON
N1K 1E6

Customer toll free: 800-571-8191
Telephone: 732-225-6070
Telefax: 732-225-6072
Email: sfasales@saniflo.com
Web Site: www.saniflo.com

Customer toll free: 800-363-5874 English
Customer toll free: 800-877-8538 French
Telephone: 519-824-1134
Telefax: 519-824-1143
Email: sfasales@saniflo.ca
Web Site: www.saniflo.ca

1 INTRODUCTION

Ce broyeur est fabriqué dans une usine certifiée ISO 9001 (2000) accréditée par l'AFAQ. Cet équipement bénéficie de la dernière innovation technologique liée à l'insonorisation. Pour profiter pleinement des avantages fournis par cette nouvelle génération d'appareils, il est très important de se conformer aux instructions d'installation.

1.1 – DESCRIPTION GÉNÉRALE

L'ensemble broyeur-pompe est un système de pompage résidentiel pour un cabinet d'aisances et des appareils de salles de bains. Le système comprend trois composants principaux:

- L'ensemble broyeur-pompe qui se raccorde à un cabinet à sortie horizontale arrière
- la cuvette
- le réservoir

L'ensemble broyeur-pompe comprend lui-même trois parties: le boîtier qui renferme le mécanisme; une chambre de pression activée et désactivée automatiquement; un moteur à induction qui met en marche les lames de broyage et la turbine.

L'ensemble broyeur-pompe peut recevoir simultanément les eaux en provenance de plusieurs appareils sanitaires, comme un évier, une douche, une baignoire, un urinoir, d'une seule toilette par appareil.

Nos systèmes de broyage sont conçus pour évacuer les déchets humains, le papier hygiénique et l'eau. Ils ne sont pas destinés à recevoir les eaux de cuisine, et ne permettent donc pas l'évacuation des eaux d'un lave-vaisselle ou d'une laveuse.

Le système doit s'évacuer dans un tuyau d'évacuation d'au moins 3/4 de pouce de diamètre. Le système de broyage peut pomper jusqu'à 15 pieds verticalement pour le Saniplus, avec une descente constante par gravité d'au moins 1/4 de pouce pour 1 po, tout le long du parcours, jusqu'au point d'évacuation.

S'il faut installer un tuyau de montée vertical, celui-ci doit précéder tout tronçon "horizontal" et doit être posé le plus près possible du coude d'évacuation.

Lorsque vous avez commencé l'installation d'un tronçon horizontal, vous ne pouvez changer de direction vers le haut de la verticale.

ORIFICES D'ENTRÉE

Sur l'ensemble broyeur-pompe, vous trouverez deux autres orifices d'entrée, de 2 pouces d'un côté et de l'autre du boîtier pour le branchement d'autres appareils sanitaires.

Remarque: Si une entrée n'est pas utilisée, celle-ci doit être bloquée à l'aide d'un bouchon (fourni).

Installation d'une baignoire

Il est possible d'utiliser n'importe quelle baignoire, puisque seul le drain est raccordé à l'ensemble broyeur-pompe. Si vous installez une baignoire, nous vous recommandons de construire une plate-forme en madriers de 2 po x 8 po sur laquelle vous poserez la baignoire. Ainsi, il y aura assez de place pour poser un siphon en P et une pente suffisante pour acheminer les eaux usées vers les orifices d'entrée.

Installation d'une douche

Si vous installez une douche, vous pouvez acheter une base de douche spéciale surélevée, ce qui vous permet d'éviter la construction d'une plate-forme. Dans le cas où vous achetez une douche simple, vous devez construire une plate-forme.

Nous vous recommandons de construire une plate-forme en madriers de 2 po x 8 po.

Remarque: Hauteur de la plate-forme. La distance réelle entre le siphon en P de l'appareil supplémentaire et l'ensemble broyeur-pompe détermine le jeu nécessaire pour installer le siphon en P et la hauteur requise pour assurer un écoulement par gravité d'au moins 1/4 de po pour 1 pied.

1.2- CYCLE NORMAL DE FONCTIONNEMENT

Lorsque la chasse d'eau est actionnée ou que l'eau de la baignoire, de la douche ou du lavabo est évacuée, l'eau sale et les déchets entrent dans le système. Le niveau de l'eau monte dans le boîtier, ce qui enclenche le micro-interrupteur de la chambre de pression. Cela met en marche le moteur. Les déchets ainsi broyés sont entraînés par la turbine à travers un tuyau d'évacuation jusqu'à la colonne de renvoi et l'égout vanne, dans une canalisation de 3/4 ou 1 pouce de diamètre.

Mise en garde: Par souci de sécurité, l'ensemble broyeur-pompe ne doit jamais être activé lorsque le couvercle est enlevé.

2 INSTALLATION

2.1 – PRÉPARATION DE L'ENSEMBLE BROUYEUR-POMPE

Le coude de refoulement plastique / clapet anti-retour doit être inséré (partie longue) dans le tuyau en caoutchouc situé sur le dessus du couvercle. L'adaptateur de caoutchouc doit ensuite être inséré sur le côté de décharge du coude et sécurisé avec les pinces de métal qui sont fournies. L'adaptateur de caoutchouc peut être coupé selon le diamètre du tuyau d'évacuation. Trois brides de tuyau doivent être utilisées pour sécuriser tous les accessoires.

2.2- RACCORDEMENTS SUPPLÉMENTAIRES

Saniplus: voir page 3 dessin 7c

- Pour les raccordements aux entrées latérales de la cuve, utiliser les manchons. Les fixer avec les colliers.
- Boucher l'entrée non utilisée avec le bouchon (graisser préalablement les joints).

Attention: pour raccorder une douche, veiller à surélever le fond du bac à douche d'au moins 7 pouces.

2.3- ASSEMBLAGE DU CABINET

Le réservoir du cabinet est déjà assemblé. Veuillez cependant vous assurer que les vis, écrous, boulons et autres sont bien serrés.

2.4- ASSEMBLAGE DES ÉLÉMENTS DU SYSTÈME

Saniplus: voir page 3 dessin 7a

1. Placez l'ensemble broyeur-pompe à l'endroit désiré et raccordez-le à la tuyauterie. (Voir Raccordement à la tuyauterie d'évacuation),
2. Placez la sortie horizontale de la cuvette contre le joint-accordéon blanc et marquez l'emplacement des trous de fixation de la cuvette sur le plancher,
3. Enlevez la cuvette et percez deux trous d'environ 2 1/4 pouces de profondeur, au moyen d'une mèche de 5/16 de pouce. Insérez des chevilles de plastique dans les trous. Si le plancher est en bois, percez un trou de guidage à l'aide d'une mèche de 1/4 de pouce,
4. Placez la cuvette devant l'ensemble broyeur-pompe et positionnez le joint-accordéon le plus loin possible par-dessus la sortie horizontale de la cuvette, puis fixez à l'aide d'un collier. Assurez-vous que le collier est fixé de manière homogène autour du joint-accordéon,
5. Placez la cuvette au niveau des trous que vous avez percés dans le plancher. Placez les protecteurs de céramique sur les vis. Serrez les vis (ne serrez pas trop) et posez les capuchons de plastique dessus,
6. Placez les joints d'étanchéité en mousse sous le trou d'évacuation du réservoir (entre le réservoir et la cuvette). Placez le réservoir au-dessus de la cuvette. Insérez les vis et le joint d'étanchéité dans le réservoir et serrez les écrous en-dessous. Ne serrez pas trop car cela pourrait endommager la céramique.

Le système est livré avec des pattes de fixation pour l'empêcher de se déplacer pendant l'utilisation. Pour optimiser les derniers développements techniques concernant l'insonorisation incorporé dans cette unité, il est important de:

- positionner la cuvette de telle sorte qu'elle ne soit pas en contact avec une cloison ou un mur de la pièce.
- placer la cuvette de toilette sur une surface parfaitement plane pour s'assurer que les supports élastiques sont pleinement efficaces.
- fixer le tuyau d'évacuation correctement avec des distances n'excédant pas 3 pieds (1m) entre les éléments de **fixation**.

2.5- RACCORDEMENT À L'ALIMENTATION EN EAU

Raccordez le tuyau d'alimentation en eau à la soupape de remplissage.

2.6- RACCORDEMENT À LA TUYAUTERIE D'ÉVACUATION

Ces ensembles broyeur-pompe comportent un coude et un manchon à réduction en escalier; coupez simplement la partie appropriée du manchon afin de l'adapter au diamètre de votre tuyauterie.

Utilisez un tuyau rigide et non un tuyau flexible, pour éviter qu'il se déforme à la longue. Utilisez un tuyau d'évacuation de 3/4 ou 1 pouce.

Vous pouvez installer une vanne d'arrêt à passage intégral et une purge sur la partie inférieure du tuyau d'évacuation afin de faciliter l'enlèvement de l'ensemble broyeur-pompe. Placez la purge ou le connecteur à boyau puis la valve sur la partie inférieure du tuyau d'évacuation.

Si vous voulez que l'appareil pompe verticalement et horizontalement, vous devez calculer que trois pieds de montée verticale équivalent à trente pieds de trajet "horizontal".

Chaque courbe ou changement de direction provoque une perte de charge dont il faut tenir compte en calculant la capacité d'évacuation, selon les méthodes habituelles de calcul de la perte de charge. (Pour chaque courbe de tuyau à 90°, soustrayez environ trois pieds de la hauteur de relevage).

La tuyauterie de vidange peut être en cuivre (type M), en CPVC ou en PVC de 3/4 de pouce. L'extrémité ouverte du tuyau en PVC peut recevoir un de ces trois matériaux et le collier de fixation permet de fixer l'ensemble. Utilisez des courbes de tuyau plutôt que des coudes. Les coudes ne sont habituellement pas offerts en plastique. Utilisez deux coudes de 45° pour former un coude de 90°.

Le raccordement à la colonne de renvoi ou au tuyau d'égout doit être fait avec un raccord en Y approuvé à cette fin. En cas de doute, faites faire l'installation par un plombier.

Comme accessoire en option, nous recommandons l'installation d'un système d'alarme externe «SANIALARM» (monté sur le couvercle de l'appareil), qui avertit l'utilisateur en cas de niveau d'eau anormal à l'intérieur du broyeur. Il est disponible auprès de votre fournisseur Saniflo.

2.7- TUYAU D'ÉGOUT (CUIVRE, FONTE, PVC, ABS)

1. Placez un raccord en Y approprié dans le tuyau d'égout (avec une collerette de 1 1/2 pouce),
2. Lisez d'abord le point 3a ci-dessous si vous utilisez un tuyau en cuivre. Collez un manchon (bout mâle x filet femelle: 1 1/2 pouce x 3/4 pouce) dans le bout uni de 1 1/2 pouce du raccord en Y,
3. Vissez l'adaptateur mâle (filet mâle x bout uni-tuyau de suintement: 3/4 pouce x 3/4 pouce) dans le manchon. Si la tuyauterie d'évacuation est en cuivre, achetez un adaptateur en laiton; si elle est en CPVC, achetez un adaptateur en CPVC,
 - a. Si la tuyauterie est en cuivre, soudez d'abord un tronçon de tuyau à l'adaptateur mâle; laissez refroidir, puis vissez l'ensemble dans le manchon femelle. Lorsque vous soudez les tuyaux ensemble, enroulez un chiffon humide autour du manchon en plastique pour qu'il reste froid. Conservez une distance d'au moins 6 po entre le plastique et la pièce soudée. Utilisez du ruban de téflon sur le filet mâle. Tout autre produit va abîmer le plastique.
 - b. Pour le CPVC, collez le manchon dans le tuyau en ABS avec du ciment pour ABS et CPVC. Attention: Ne mettez pas de ciment ABS sur les tuyaux en CPVC, parce que le plastique ne va pas coller.

2.8- RACCORDEMENT ÉLECTRIQUE

Tous les branchements électriques doivent être conformes au code de l'électricité en vigueur dans votre région. Le système de broyage requiert une alimentation monophasée de 120 V 15 A. Si la prise de courant est située dans une salle de bains, elle doit être à une distance de 40 pouces (en ligne directe) d'une douche ou d'une baignoire. Ne connectez l'appareil qu'à une prise de courant protégée par un coupe-circuit en cas de défaut de mise à la terre du neutre.

Attention: risque de choc électrique - cet appareil est muni d'une prise de terre (GFI) afin de réduire le risque d'électrocution. Vérifiez que votre appareil est branché sur un circuit électrique avec prise de terre.

2.9- RACCORDEMENT À UN SYSTÈME D'AÉRATION

Saniplus : voir page 3 dessin 7d

Cet appareil doit être ventilé. Il est conçu pour être adapté à deux systèmes de ventilation. Pour cela il possède 2 orifices sur le dessus (1 calotte de 1 1/2 po et un trou de petite dimension).

L'appareil doit être relié à un système d'aération comme l'exigent les codes locaux. Placez le joint accordéon (fourni) sur la calotte et serrez-le avec un collier (fourni). Connectez ensuite votre tuyauterie d'aération. Tous les appareils connectés au système doivent aussi être ventilés. **Attention: N'utilisez pas une vanne d'admission d'air ni un évent à ressort car ces mécanismes sont à sens uniques. La pression d'air doit demeurer uniforme à l'intérieur et à l'extérieur de l'ensemble broyeur-pompe.**

NOTE : Le trou de plus petit diamètre doit être bouché par le capuchon fourni (i).

2.10- MISE EN MARCHÉ DE L'APPAREIL

1. Avant la mise en marche, assurez-vous que le cabinet ne contient pas de résidus suite à l'installation;
2. Ouvrez la soupape d'arrêt et attendez que le réservoir se remplisse;
3. Vérifiez que l'appareil est bien branché;
4. Tirez plusieurs fois la chasse d'eau, en attendant un peu chaque fois et en jetant quelques feuilles de papier hygiénique dans la cuvette pour vérifier la tuyauterie d'évacuation. Normalement, il ne doit pas rester de papier dans la cuvette après une chasse d'eau.

3 UTILISATION

Les ensembles broyeur-pompe du Groupe SFA s'utilisent normalement uniquement pour évacuer les déchets humains, le papier hygiénique et l'eau.

SANIPLUS® est conçu uniquement pour une utilisation ménagère et ne peut évacuer des déchets sanitaires tels que des condoms, des tampons, des serviettes sanitaires et des cotons-tiges sans risquer des dommages.

MISES EN GARDE:

Il est strictement interdit de jeter dans le cabinet des acides, des alcaloïdes, des solvants, de la peinture, des décapants à peinture, des déchets alimentaires, des sacs de plastique, du métal tel que des clous, des épingles à cheveux, du bois, des tissus, du plâtre, des gravats, de la litière pour chats ou toute autre matière qui pourrait bloquer, endommager ou corroder l'appareil. Si cette mise en garde n'est pas respectée, l'ensemble broyeur-pompe pourrait être endommagé et la garantie pourrait être annulée.

Ne mettez pas de javellissants sous forme de bloc ni de produits nettoyants au chlorhydrate dans le réservoir. Il a été prouvé que ces solutions "attaquent" les composants en plastique et en néoprène de la soupape de remplissage et de la soupape de chasse d'eau, ce qui peut causer des fuites. En cas de panne de courant, n'utilisez pas le cabinet ni les autres appareils sanitaires qui y sont reliés, car ils ne fonctionneront pas tant que le courant n'aura pas été rétabli.

L'appareil s'utilise comme un cabinet ordinaire et ne demande pas d'entretien s'il est utilisé normalement. Cependant, il n'est pas mauvais de nettoyer l'ensemble broyeur-pompe une fois par année. N'utilisez pas de javellissant (Veillez à ce qu'il n'y ait pas d'eau qui pénètre dans l'ouverture du cordon électrique).

L'appareil se met automatiquement en marche dès que la chasse d'eau est tirée ou que la baignoire, la douche ou le lavabo se vident. Il cesse de fonctionner lorsque son contenu a été pompé et évacué.

Si vous prévoyez de ne pas utiliser le cabinet pendant une longue période (vacances, panne de courant, entretien, etc.), fermez l'admission d'eau du réservoir et tirez la chasse d'eau pour vider l'appareil. Il ne faut jamais laisser l'eau du réservoir fuir dans la cuvette.

Dans les régions où il y a risque de gel, le cabinet doit être protégé adéquatement contre le gel. Cela signifie vider tous les tuyaux, le réservoir du cabinet, la cuvette et le réservoir du système. Pour protéger le système de broyage contre le gel,

il suffit de verser 1 litre d'antigel pour appareils de plomberie dans le réservoir et de tirer la chasse d'eau du cabinet. Cela activera le système et toute l'eau qui reste sera remplacée par de l'antigel. Ni la main-d'œuvre ni les pièces ne sont couvertes par la garantie si l'appareil tombe en panne à cause du gel.

Assurez-vous qu'il n'y a pas de robinet mal fermé, sinon le moteur qui se met en route et s'arrête très souvent peut disjoncter. Il pourrait en résulter une inondation.

4 INTERVENTION

4.1 - VÉRIFICATION

L'ensemble broyeur-pompe est très fiable. Dans des conditions d'utilisation normales, il fonctionnera longtemps. Cependant, en cas de problème que vous pouvez résoudre vous-même, vérifiez les points suivants avant de faire quoi que ce soit :

1. Plomberie :

- arrivée d'eau ouverte
- chasse d'eau fonctionne bien.

2. Système électrique. La prise de courant ou le coupe-circuit en cas de mise à la terre du neutre fonctionnent, le fusible est en bon état, le disjoncteur est en circuit et la fiche mâle est dans la prise de courant. Assurez-vous que le rupteur thermique interne n'a pas été activé (attendez environ 20 minutes pour que l'appareil se remette en marche).

3. Système hydraulique. Assurez-vous que le tuyau d'évacuation et le tuyau d'aération ne sont pas bouchés.

Si l'ensemble broyeur-pompe tourne par intermittence sans que la chasse d'eau ait été actionnée ni que de l'eau ait été évacuée, vérifiez si l'eau du réservoir ne coule pas dans la cuvette, si l'eau ne retourne pas dans l'appareil parce que le clapet antiretour a été mal posé, ou si le coude d'évacuation n'a pas été mal installé. Si l'ensemble broyeur-pompe est muni d'un clapet antiretour externe, assurez-vous que le siège du clapet est propre et légèrement enduit de graisse de silicone.

4.2 - DÉPOSE POUR PETITE INTERVENTION

Étant donné que l'appareil est relié à une source d'alimentation en électricité et en eau, il est important de vérifier les points suivants avant de le réparer/déplacer :

1. Fermez l'arrivée d'eau et fermez le robinet-vanne facultatif sur le tuyau de sortie.
2. Débranchez électriquement l'appareil.
3. Videz le plus possible l'eau de la cuvette du cabinet et du réservoir de chasse.
4. Séparez le cabinet de l'appareil. Enlevez la cuvette du cabinet et mettez-la de côté en l'appuyant contre un mur pour l'empêcher de basculer.
5. L'utilisation d'un aspirateur pour déchets humides peut être utile pour enlever l'eau résiduaire.
6. Au moment d'enlever l'ensemble broyeur-pompe, séparez avec soin les tuyaux d'admission (ils peuvent contenir de l'eau résiduaire).
7. Entrées latérales basses : dégager éventuellement, à l'aide d'un tournevis les battants des clapets antiretour.
8. Sur Saniplus, par le trou manchette, à l'aide d'un fil de fer courbe, enlever le corps étranger.

4.3- RETOUR ET RÉPARATION DE L'ENSEMBLE BROYEUR-POMPE

Si le système de broyage doit être réparé, appelez-nous pour connaître les autres options possibles ou pour vous renseigner sur un atelier de réparation agréé dans votre région. Lorsque vous devez retourner l'ensemble broyeur-pompe au fabricant, veuillez vous assurer qu'il a été soigneusement nettoyé et désinfecté, à l'intérieur comme à l'extérieur, avant de l'expédier. Des frais de manutention seront facturés pour le nettoyage (50 \$). Une autorisation préalable du fabricant est nécessaire avant le renvoi d'un appareil. Les appareils retournés sans numéro d'autorisation de retour de marchandise seront renvoyés à leur expéditeur à leurs frais.

Si vous renvoyez le broyeur dans son emballage d'origine, retirez le coude d'évacuation et mettez-le de côté afin de le remonter après retour de l'unité. Si vous vous abstenez de retirer ce coude,

il risque d'être endommagé pendant le transport, ainsi que l'unité.

On devra prendre soin d'envelopper l'appareil dans un matériau destiné à amortir les chocs.

Expédiez le colis au fabricant, port payé, et veillez à le faire assurer contre les pertes et les dommages en transit. (La somme de 300 \$ devrait suffire).

Lorsque des réparations sont effectuées en dehors de la période de garantie, ou si l'ensemble broyeur-pompe a été endommagé par l'utilisateur, une estimation des frais de réparation est envoyée au client. Les réparations doivent obligatoirement être payées à l'avance.

5 DEPANNAGE (uniquement personnel qualifié)

5.1 - Voir paragraphe 4 INTERVENTION (4.1 et 4.2)

5.2 - Si vous devez ouvrir l'ensemble broyeur-pompe, dégager d'abord le coude à réduction en escalier, puis détachez le couvercle et soulevez-le. Dans certains cas, il se peut que le couvercle reste très solidement collé au réservoir. (Le savon employé pour l'assemblage en usine peut avoir séché.) S'il faut retirer le moteur du boîtier, dévissez les vis retenant le moteur. Dégager le câble isolant de la cuve. Soulevez le bloc-moteur. N'essayez pas de démonter le bloc-moteur, car ses composants sont "liés" entre eux par des pinces qui pourraient se briser si on tente de les détacher. En plus d'endommager les pinces, les joints d'étanchéité du moteur pourraient être endommagés lorsque le couvercle est retiré du boîtier du moteur. Le moteur est rempli d'huile diélectrique; il ne faut pas vidanger cette huile ni la remplacer par de l'huile ordinaire. Veuillez prendre note que le distributeur ne stocke pas de joints d'étanchéité, de bagues ou d'huile.

5.3 - CONTRÔLE DU SANIPLUS

TURBINE

Retournez le moteur pour avoir accès au corps de pompe, à la base. Détachez la base du boîtier du moteur.

Dévissez la roue motrice de la pompe dans le sens contraire des aiguilles d'une montre, pour la dégager du mandrin (bloquer le mandrin pour dévisser). Nettoyez le corps de la pompe, le coude d'évacuation et la tuyauterie pour vous assurer qu'il n'y a aucune obstruction. Assurez-vous que l'arbre du moteur tourne librement. Assurez-vous également que le trou d'évent dans la paroi du corps de pompe n'est pas obstrué.

LAMES DE BROYAGE

Les lames peuvent être retirées facilement s'il devient nécessaire de les remplacer. Retirez simplement la pince de retenue, sur le dessus de l'assemblage lames-rotor, et retirez le moyeu en le soulevant. Les lames peuvent alors être glissées latéralement, enlevées et remplacées.

Mise en garde : Les lames sont extrêmement tranchantes

5.5. MISE EN GARDE

Il ne faut pas immerger complètement le système de broyage dans l'eau, et il ne faut pas laisser d'eau entrer par l'ouverture du câble électrique.

5.6. REMONTAGE DE COUVERCLE

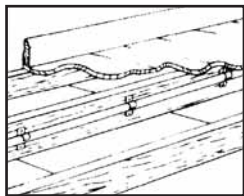
Lorsque vous replacerez le couvercle sur l'appareil, il est conseillé de lubrifier légèrement le joint d'étanchéité en caoutchouc avec de l'eau savonneuse ou du savon à vaisselle. (N'utilisez pas de Vaseline, car cela pourrait dilater les matériaux en néoprène.) **Le joint d'étanchéité doit d'abord être à l'intérieur du couvercle.** Commencez par pousser le couvercle vers le bas, puis tout autour en frappant le couvercle avec un maillet en caoutchouc ou un bloc de bois et un marteau. Le couvercle doit bien reposer sur les attaches.



6 CONSEILS

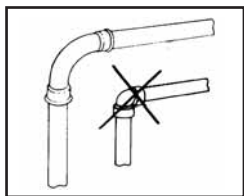
ANCRAGE DES TUYAUX

Tous les tuyaux des installations sanitaires doivent être ancrés conformément aux recommandations du fabricant pour les empêcher de pendre, car ils pourraient alors être bloqués par une accumulation de « matières solides ».



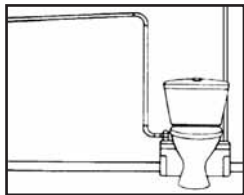
COURBES

Dans la mesure du possible, utilisez des courbes de tuyau plutôt que des coudes. Si des coudes de 90° ne sont pas disponibles, utilisez deux coudes de 45° pour former une courbe de 90°.



LA TUYAUTERIE VERTICALE D'ABORD

Lorsqu'on installe des tuyaux à la verticale, il faut les poser avant de poser les tuyaux horizontaux.



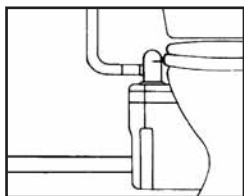
DIRECTEMENT À LA VERTICALE

Les tuyaux de montée doivent être fixés le plus près possible du cabinet, en laissant assez d'espace pour contourner le réservoir. Les tuyaux horizontaux sortant du cabinet et placés avant un tuyau vertical ne doivent pas avoir plus de 12 à 18 po de longueur.



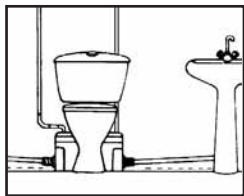
ACCÈS FACILE

Il faut avoir accès à l'ensemble broyeur-pompe et pouvoir le déposer en cas de réparation. Au moment de l'installation, il faut poser une purge et une vanne d'arrêt à passage intégral à la base de tout tuyau d'évacuation vertical, pour permettre de réparer facilement l'appareil.



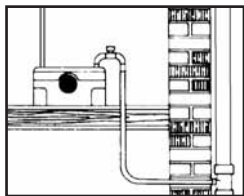
DESCENTE PAR GRAVITÉ

Les eaux usées se déversent dans l'ensemble broyeur-pompe par gravité. Elles ne sont pas aspirées. Tous les tuyaux d'arrivée doivent assurer l'écoulement absolu par gravité (1/4 po par pied). Les tuyaux d'évacuation horizontaux sortant de l'ensemble broyeur-pompe doivent aussi assurer l'écoulement absolu par gravité, pour que le drainage se fasse librement lorsque la pompe s'arrête.



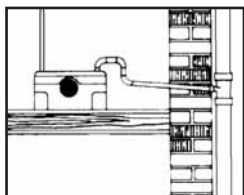
PAS DE DESCENTE DIRECTE

Si le point de déversement dans la colonne de renvoi est beaucoup plus bas que la base de l'ensemble broyeur-pompe, il pourrait être nécessaire de poser un clapet de contre-siphonnement au point le plus élevé de la tuyauterie pour empêcher le siphonnage du joint d'étanchéité.



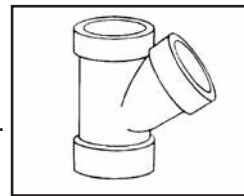
MINIMUM DE TROIS PIEDS

L'ensemble broyeur-pompe doit être installé à au moins trois pieds de la colonne de renvoi. De cette façon, le broyeur pourra fonctionner durant une période de temps suffisante pour réduire efficacement le volume des déchets.



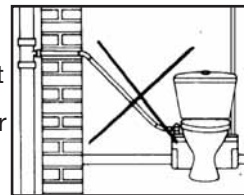
RACCORDEMENT À LA COLONNE DE RENVOI

Tout raccordement des tuyaux de vidange à la colonne de renvoi doit être fait avec un raccord approprié et homologué. Utilisez de préférence les raccords en Y illustrés.



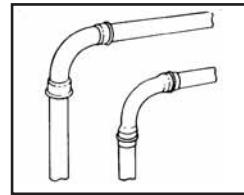
PAS DE TUYAUX EN DIAGONALE

Tous les tuyaux de vidange sortant de l'appareil doivent soit monter directement à la verticale, soit être en position horizontale (avec un léger écoulement par gravité) jusqu'au point d'évacuation. Il ne faut pas installer de tuyaux en diagonale entre l'appareil et le point d'évacuation.



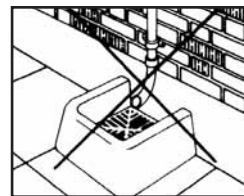
TUYAUTERIE

Tous les tuyaux doivent être en cuivre ou en plastique soudé au solvant. Il ne faut pas utiliser de tuyaux flexibles. Les pendants doivent être espacés d'au moins quatre pieds pour empêcher les tuyaux de cogner.



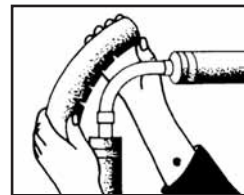
VIDANGE

Ne jamais évacuer les eaux usées directement dans un égout à ciel ouvert, un trou d'homme ou un drain pour les eaux de pluie. Cela est illégal et constitue un danger pour la santé. Seuls les branchements directs dans les systèmes de déchets sanitaires sont acceptables.



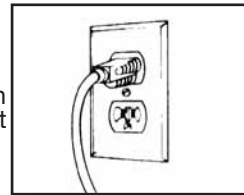
GEL

Assurez-vous que tout tuyau susceptible de geler est bien isolé ou chauffé. Dans les immeubles non chauffés, la tuyauterie et l'ensemble broyeur-pompe doivent être protégés contre le gel avec de l'antigel de « véhicule de plaisance » ou vidés complètement.



ELECTRICITÉ

Avant d'entreprendre des travaux d'entretien ou de dépannage, il faut débrancher l'appareil de la source d'alimentation en électricité. Le système de broyage doit être protégé par un coupe-circuit en cas de défaut de mise à la terre du neutre.



7 GUIDE DE DÉPANNAGE

PROBLÈME	CAUSE	SOLUTION
Le moteur tourne normalement, mais l'eau s'évacue lentement de la cuvette (chasse d'eau incomplète).	Le tuyau d'évacuation ou le clapet sont bouchés.	Nettoyez le tuyau et le clapet.
Les déchets s'accumulent dans la cuvette	Quantité insuffisante d'eau provenant du réservoir.	Vérifiez ou augmentez le niveau d'eau dans le réservoir.
Le système de broyage ne démarre pas. L'eau ne s'évacue pas.	Le courant est coupé. Le rupteur thermique ne fonctionne pas.	Attendez que le rupteur thermique fonctionne (environ 20 minutes).
Le moteur ronronne mais ne tourne pas. L'eau ne s'évacue pas.	Un corps étranger bloque les lames de broyage. Condensateur défectueux.	Voir « Démontage »
L'eau s'évacue lentement et le moteur fonctionne par intermittence.	C'est bouché (serviette hygiénique, papier journal, prise d'air colmatée, etc.)	Tirez la chasse trois ou quatre fois pour dégager. Il faudra peut-être nettoyer ou démonter. Nettoyez la prise d'air.
L'eau s'évacue du cabinet, mais le moteur fonctionne très longtemps et le rupteur thermique est activé.	Tuyau d'évacuation bouché ou tordu, membrane endommagée, roue motrice défectueuse, pompe partiellement bloquée.	Vérifiez l'installation.
Après l'évacuation, le moteur redémarre plusieurs fois avant de s'arrêter complètement.	L'eau est renvoyée dans l'ensemble broyeur-pompe. Le clapet antiretour ne fonctionne pas bien.	Tirez la chasse d'eau une ou deux fois avec de l'eau claire pour dégager le clapet ou enlevez le clapet et nettoyez-le.
Le moteur tourne bruyamment, sans s'arrêter ni pomper.	Siphonage ou manque de contrepression dans le tuyau d'évacuation, causant une poche d'air. Présence d'un corps étranger.	Modifiez la tuyauterie d'évacuation de manière à éliminer le siphonage ou à augmenter la contrepression. (p. ex. utilisez des tuyaux plus petits, ajoutez une courbe de tuyau). Retirez le corps étranger.
Après l'évacuation, le moteur tourne, s'arrête et redémarre constamment.	L'eau du réservoir fuit dans la cuvette. Clapet antiretour défectueux.	Vérifiez la soupape de chasse d'eau. Vérifiez le clapet antiretour et nettoyez-le.
Pour le Saniplus, le moteur tourne mais fait un bruit de ferraille.	Un corps solide est tombé dans la crépine de l'ensemble broyeur-pompe.	Dégagez l'objet coincé dans la crépine.
L'eau remonte dans la baignoire ou la cabine de douche.	L'écoulement par gravité dans l'ensemble broyeur-pompe n'est pas adéquat. Clapet d'entrée défectueux.	Assurez-vous qu'il y a un écoulement par gravité d'au moins 1/4 po à 12 po entre les autres appareils sanitaires et l'ensemble broyeur-pompe. Nettoyez les clapets d'entrée.

IMPORTANT

Lorsque vous ferez une demande de réparation au titre de la garantie, nous aurons besoin des renseignements que vous aurez inscrits ci-dessous. Veuillez vous assurer d'avoir tous les détails à portée de la main lorsque vous présenterez votre demande de réparation au titre de la garantie.

Nom du propriétaire : _____

Adresse de l'installation : _____

Lieu d'achat : _____

Installé par : _____

Date d'achat : _____

Numéro de série : _____

Date de Fabrication : _____ (voir l'étiquette sur le coté de l'appareil)

GARANTIE LIMITÉE

Garantie de deux ans à partir de la date d'achat

Sous réserve des modalités et conditions énoncées ci-dessous, SFA-SANIFLO INC., (ci-après désignée comme la Compagnie) garantit qu'elle réparera ou remplacera, à son gré, le produit ou l'une quelconque de ses pièces, qui de l'avis de la Compagnie, se trouve défectueux ou ne répond pas à la performance demandée du fait d'un défaut de fabrication ou de matériau.

Si le remplacement doit s'opérer, il sera seulement valable pendant les 180 premiers jours à compter de la date d'achat. Les réparations sous garantie seront applicables après cette date jusqu'à la date de fin de garantie.

TERMES ET CONDITIONS

Les conditions de la garantie sont :

- Le produit doit être installé conformément selon l'usage décrit dans les manuels ci-joint
- Le produit doit être connecté à une prise électrique monophasée de 120V, 60Hz et ne doit être le sujet d'aucune négligence, accident ou exposition à des produits ou des substances nuisibles.
- Le prétendu défaut ou faute doit être rapporté soit à l'installateur soit à la Compagnie pendant la période de couverture de la garantie.
- La période de couverture de la garantie est valable 2 ans.

ÉCHANGE DE PIÈCE OU DE PRODUIT

Le produit pourra être échangé sans frais uniquement au point de vente où il a été acheté sous réserve des conditions suivantes:

- Le client doit avoir une «autorisation de retour » chez le fabricant afin de valider l'échange.
- Le client doit produire une preuve d'achat afin de valider l'échange.

RESTRICTIONS

1. Les mécanismes de chasse et de remplissage du réservoir sont garantis par le fabricant d'origine seulement ;
2. La porcelaine est garantie seulement contre les défauts de fabrication ;
3. La garantie ne couvre pas les frais de branchement et rebranchement de l'installation (c.-à-d. les frais de main-d'œuvre) qui sont à la charge du client ;
4. La garantie ne couvre pas les frais d'expédition ou de transport quand une pièce ou des pièces de l'appareil doit(vent) être réparé(e)s à l'usine ;
5. En aucun cas la Compagnie ne sera tenue responsable des dommages accessoires ou indirects, pertes ou blessures, de quelle que nature que ce soit, résultant de l'utilisation du produit, ou de l'un de ses composants ;
6. La garantie est transférable seulement si l'appareil demeure à l'endroit où il fut installé initialement.

Sauf pour ce qui est des termes de cette garantie limitée, la Compagnie n'accepte aucune autre garantie, implicite ou explicite, ayant trait au produit ou à tout composant y afférent, incluant sans toutefois s'y limiter, toute autre garantie implicite quant à la valeur marchande ou l'adaptabilité de ce produit à une fin particulière.

Pour le service et d'autres demandes de renseignements, veuillez appeler à l'une des adresses indiquées ci-dessous.

États-Unis

SFA-SANIFLO INC.
105 Newfield Avenue, Suite A
Edison, NJ 08837

Canada

SFA-SANIFLO INC.
1-685 Speedvale Avenue West
Guelph (Ontario)
N1K 1E6

Numéro sans frais : 800-571-8191
Téléphone : 732-225-6070
Télécopieur : 732-225-6072
Courriel : sfasales@saniflo.com
Site Web : www.saniflo.com

Numéro sans frais : 800-363-5874 Anglais
Numéro sans frais : 800-877-8538 Français
Téléphone : 519-824-1134
Télécopieur : 519-824-1143
Courriel : sfasales@saniflo.com
Site Web : www.saniflo.ca

